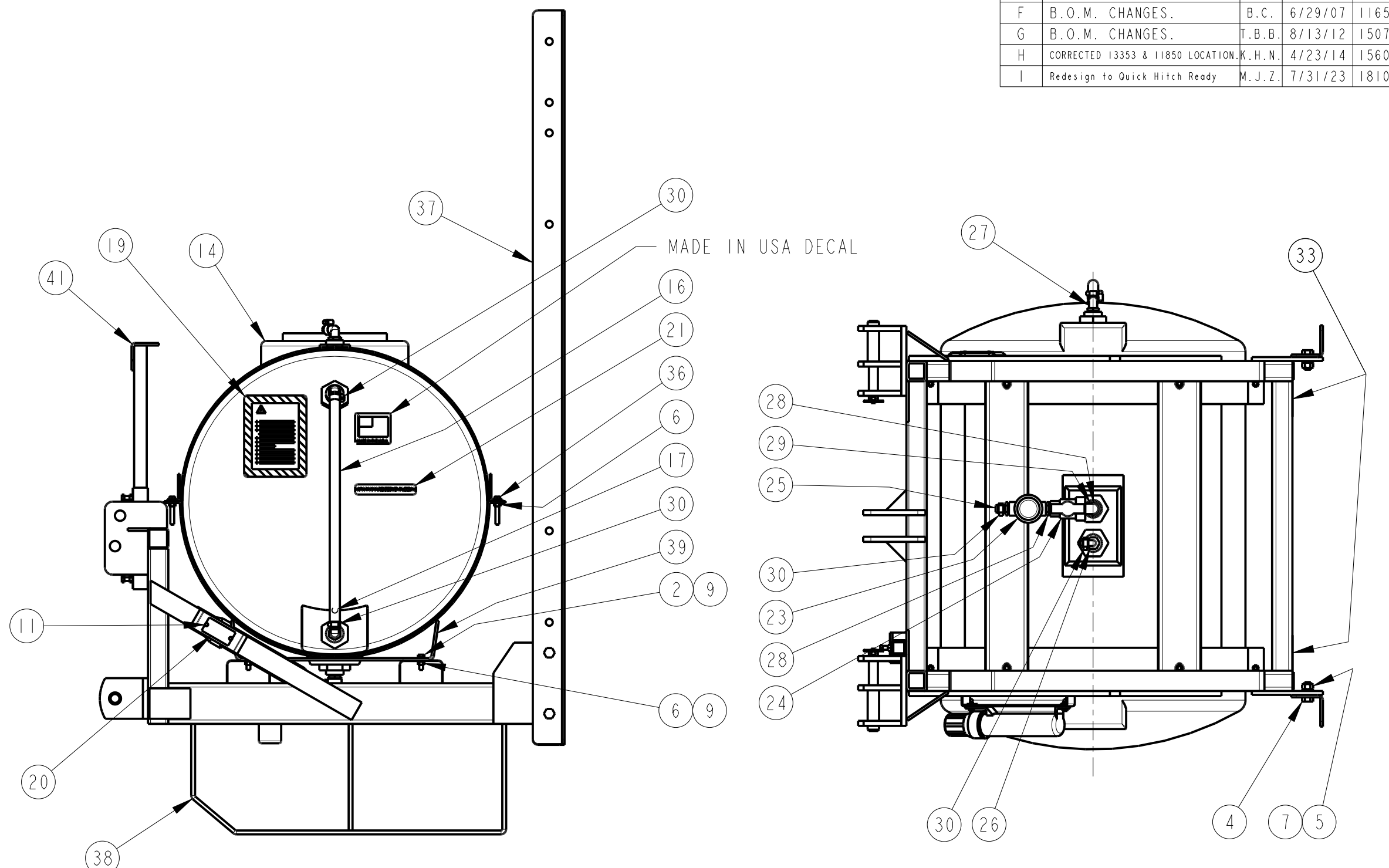


Item	Part Number	Qty.	Description
1	10002	2	HEX BOLT, 1/4-20 X 1 Gr.5 PLATED
2	10029	5	HEX BOLT, 3/8-16 X 1-1/4 Gr.5 PLATED
3	10031	2	HEX BOLT, 3/8 X 1 Gr. 5 PLATED
4	10091	4	HEX BOLT, 5/8 X 1-1/2 Gr.5 PLATED
5	10165	4	HEX NUT, 5/8" PLATED
6	10175	8	LOCKNUT, 3/8"-16 Gr.5 PLATED
7	10185	4	LOCKWASHER, 5/8" PLATED
8	10200	2	FLATWASHER, 1/4" PLATED
9	10202	8	FLATWASHER, 3/8" PLATED
10	10335	1	HARDEE RED PAINT - (NOT SHOWN)
11	10339	2	POP RIVET
12	10346	2	3 Pt. Snap Pin (Lynch Pin)
13	10464	2	CATEGORY I & II HITCH PIN
14	10763	1	110 GALLON TANK, 30 X 44
15	10773	1	AGITATOR
16	10797_	1	HOSE, CLEAR, 3/4 ID X 1/8 W (25" LG.)
17	10804	1	FLOAT, LEVEL INDICATING
18	11010	1	LARGE HARDEE LOGO DECAL
19	11016	1	DECAL, SPRAYER SAFETY
20	11727	1	SERIAL NUMBER PLATE
21	11850	1	DECAL, WEB SITE
22	11860	10	TIE STRAP, (14" LG.) (100/PK)
23	12706	1	STRAINER, 3/4" LINE
24	13007	1	BALL VALVE, 3/4" FPT POLY
25	13319	1	ADAPTER, 3/4"HB X 3/4"MNPT POLY
26	13353	1	ELBOW, 1/2"HB X 3/4"MNPT POLY
27	13355	3	ELBOW, 3/4"HB X 3/4"MNPT POLY
28	13396	2	CLOSE NIPPLE, 3/4" POLY
29	13509	1	STREET ELBOW, 3/4" NPT POLY
30	13531	5	HOSE CLAMP, 57 SERIES, 5/8" - 3/4"
31	15477_	2	WEBBING STRAP, 2" (73.5 LONG)
32	15478	4	STRAP END, NYLON TANK
33	15852	2	RED REFLECTOR DECAL
34	15854	1	MANUAL HOLDER CANISTER
35	15860	2	U-NUT, 1/4"-20 UNC
36	15911	4	HEX BOLT, 3/8 X 2-1/2 Gr.5 PLATED
37	30067	2	UPRIGHT MEMBER
38	30240	1	110/150 GAL. FRAME WELDMENT
39	30263	2	SADDLE WELDMENT, SPRAYER
40	30432	1	TANK INSERT, 110 GALLON
41	30455	1	CONTROL STAND WELDMENT, SPRAYER

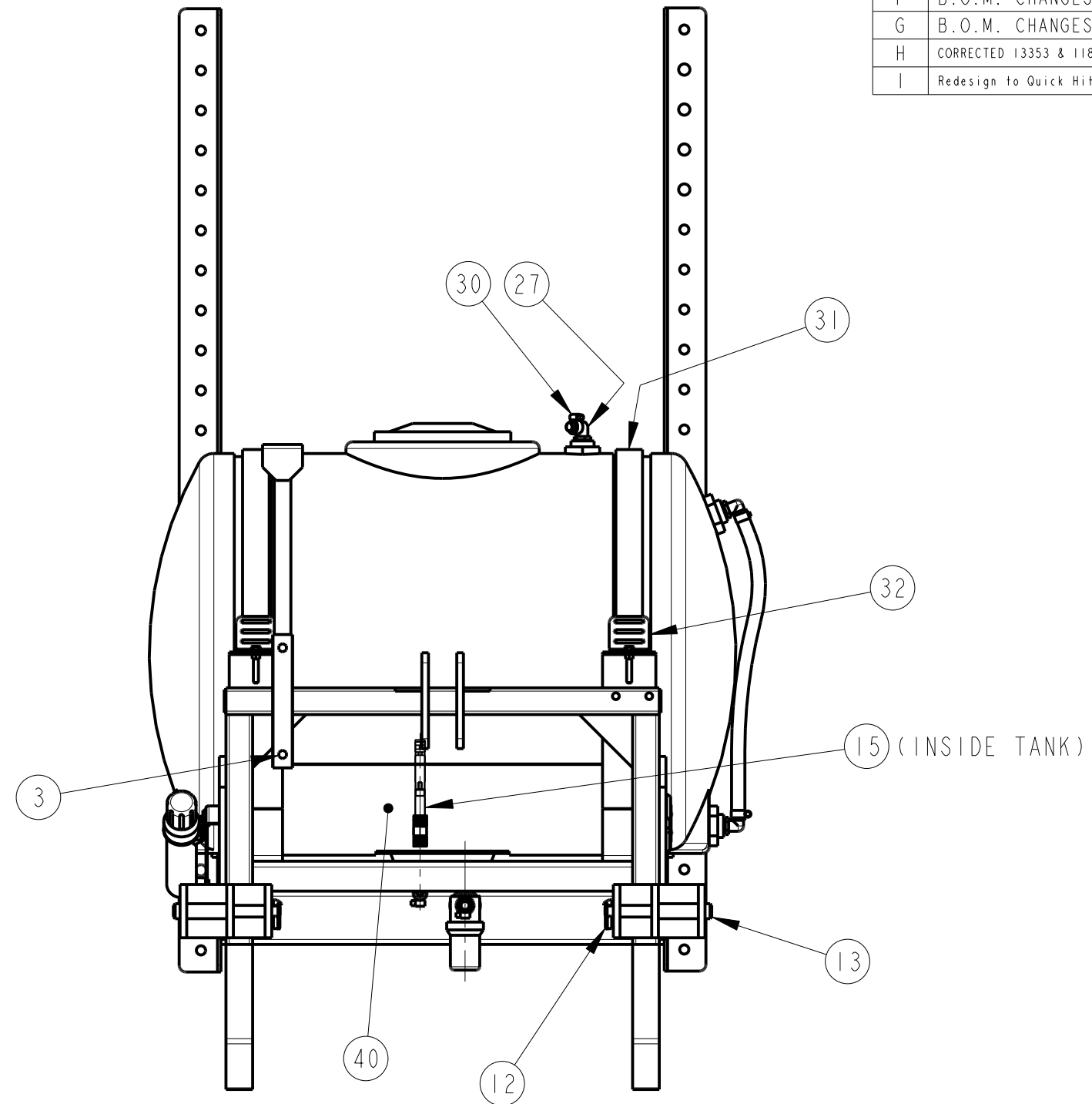
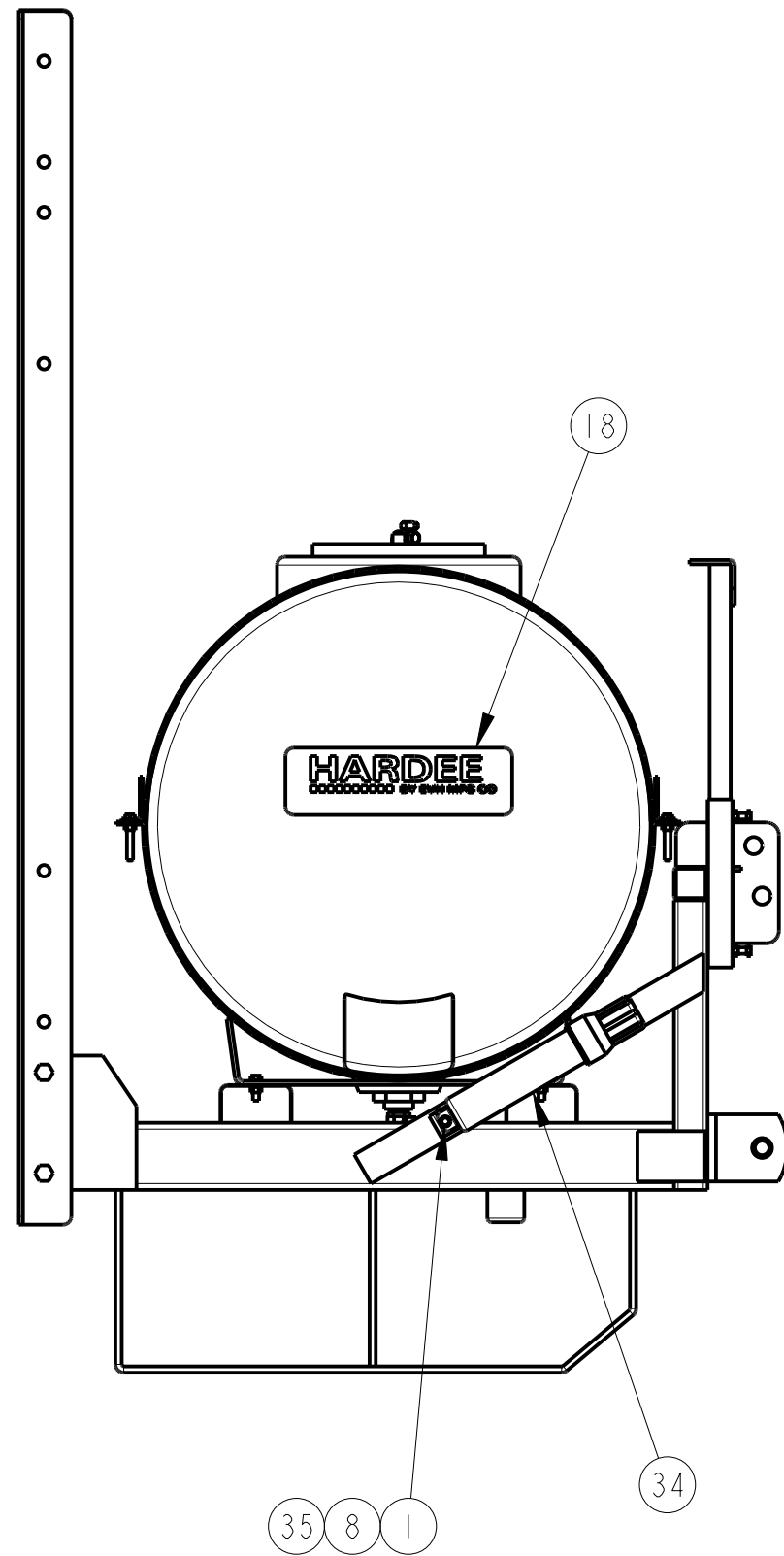


DWG. NO.	30097		REV.	1	
REV	CHANGE	BY	DATE	ECN	
IR	INITIAL RELEASE	W.E.S.	10/5/98	---	
F	B.O.M. CHANGES.	B.C.	6/29/07	1165	
G	B.O.M. CHANGES.	T.B.B.	8/13/12	1507	
H	CORRECTED 13353 & 11850 LOCATION.	K.H.N.	4/23/14	1560	
I	Redesign to Quick Hitch Ready	M.J.Z.	7/31/23	1810	

All Dimensions in Inches Unless Otherwise Specified
 Dimensions in [] are in Millimeters
 Tolerance Unless Otherwise Specified
 Fractional Dimensions: 1/16"
 Decimal Dim. to Limits Shown
 Angular Dimensions: ± 1°
 All Holes to be +0 -1/32"

MODELED BY	M. J. Z.	6/26/23	HARDEE BY EVH MFG. CO. LORIS S.C.	
CHECKED BY	C. K. N.	7/31/23		
MATERIAL	R.M.N. N/A		DESCRIPTION	SHEET 1 of 2
Manufactured By:	EVH Mfg. Co., LLC		L-110 SPRAYER FRAME AND TANK	
DO NOT SCALE	B	DWG. NO.	30097	

DWG. NO.	30097			REV.	1
REV	CHANGE	BY	DATE	ECN	
IR	INITIAL RELEASE	W.E.S.	10/5/98	---	
F	B.O.M. CHANGES.	B.C.	6/29/07	1165	
G	B.O.M. CHANGES.	T.B.B.	8/13/12	1507	
H	CORRECTED 13353 & 11850 LOCATION.	K.H.N.	4/23/14	1560	
I	Redesign to Quick Hitch Ready	M.J.Z.	7/31/23	1810	



MODELED BY	M. J. Z.	6/26/23	HARDEE BY EVH MFG. CO. LORIS S.C.	
CHECKED BY	C. K. N.	7/31/23		
MATERIAL	R.M.N.	N/A	DESCRIPTION	SHEET 2 of 2
Manufactured By: EVH Mfg. Co., LLC			L-110 SPRAYER FRAME AND TANK	
DO NOT SCALE	B	DWG. NO.	30097	
	DWG SIZE			

All Dimensions in Inches Unless Otherwise Specified
Dimensions in [] are in Millimeters
Tolerance Unless Otherwise Specified
Fractional Dimensions: 1/16" Angular Dimensions: ± 1°
Decimal Dim. to Limits Shown All Holes to be +0 -1/32"