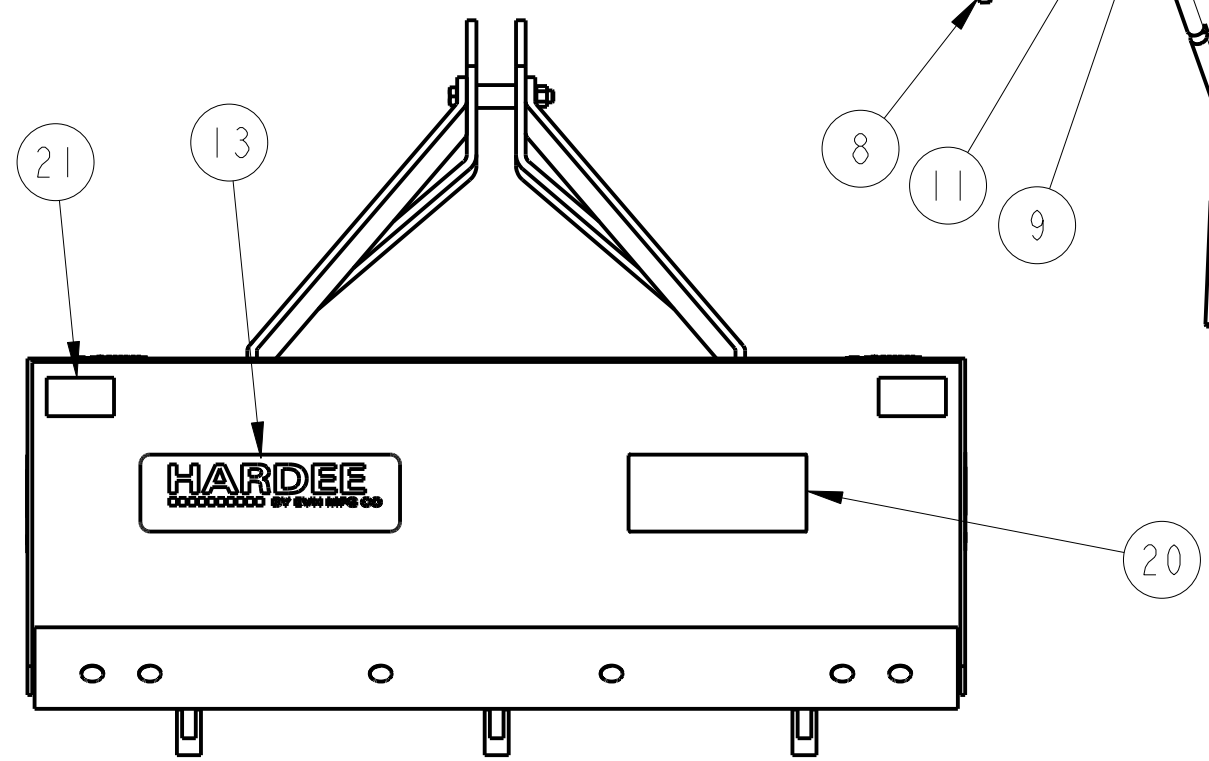
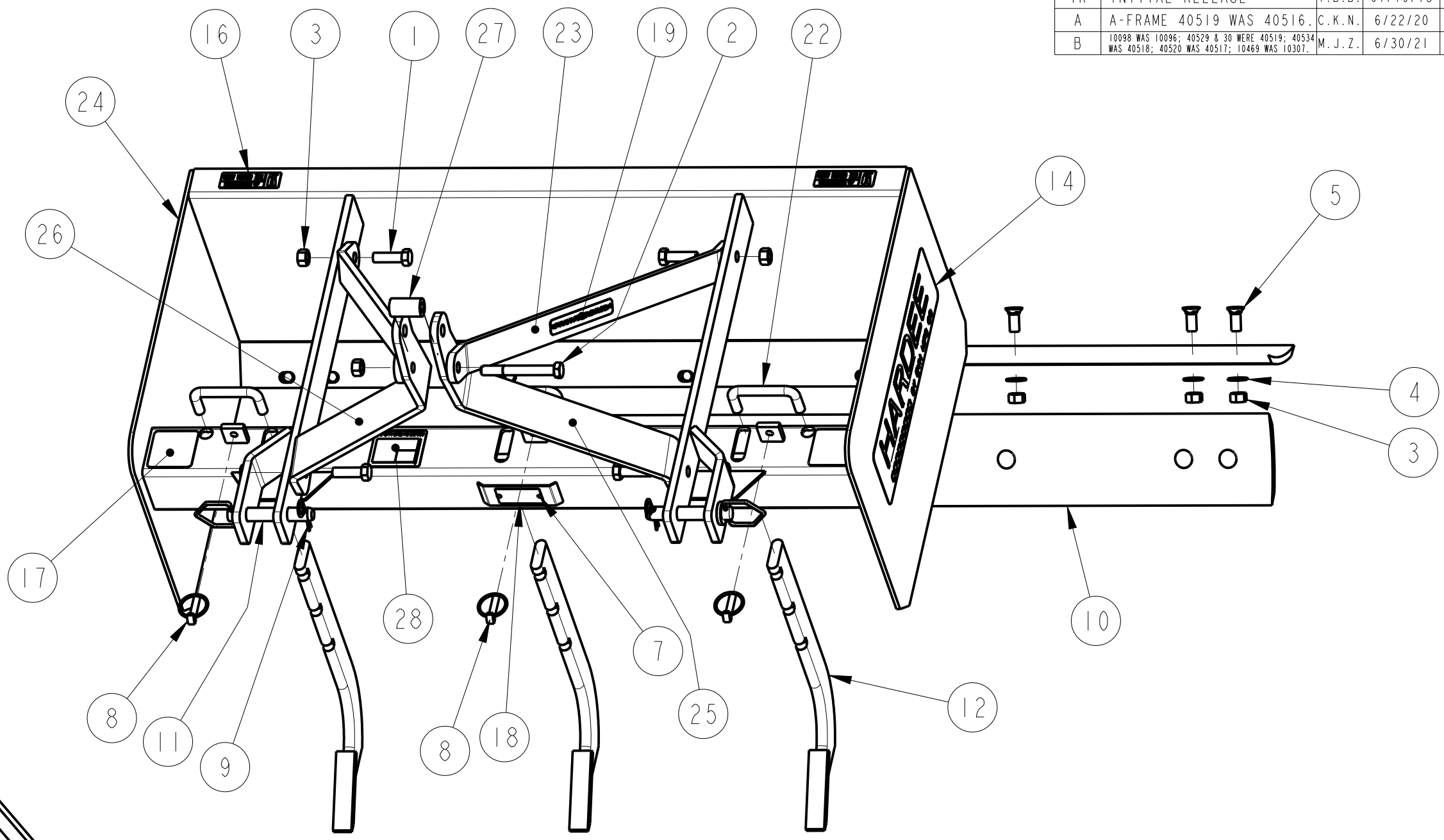


Item	Part Number	Qty.	Description
1	10092	4	HEX BOLT, 5/8" X 2" Gr.5 PLATED
2	10098	1	HEX BOLT, 5/8"-11 X 5" Gr.5 PLATED
3	10166	17	LOCKNUT, 5/8"-11 PLATED
4	10212	12	FLAT WASHER, 5/8" S.A.E. PLATED
5	10262	12	PLOW BOLT, 5/8" X 1-1/2 Gr.5 PLATED
6	10335	1	HARDEE RED PAINT - (Not Shown)
7	10339	2	POP RIVET
8	10346	3	3 Pt. Snap Pin (Lynch Pin)
9	10391	2	Clip Pin (Hairpin) 3/16 X 3-1/4"
10	10430	2	48" CUTTING EDGE
11	10469	2	HITCH PIN (4-1/4" CAT. 1)
12	10485	3	SCARIFIER
13	11010	1	LARGE HARDEE LOGO DECAL
14	11131	2	DECAL, HARDEE BY EVH MFG (5 X 16)
15	11636	1	DECAL, Landscape & Disc Harrow Kit
16	11636-4	2	WARNING DECAL (KIT 11636)
17	11636-ITEM.5	2	Crushing Hazard Decal (3 X 3)
18	11727	1	SERIAL NUMBER PLATE
19	11850	1	DECAL, WEB SITE
20	11856	1	DECAL, MODEL ES-48
21	15852	2	RED REFLECTOR DECAL
22	40162	3	SCARIFIER LOCK
23	40520	2	ES STRUT (CLEVIS STYLE)
24	40521	1	ES-48 FRAME WELDMENT
25	40529	1	ES LEFT A-FRAME - QUICK HITCH
26	40530	1	ES RIGHT A-FRAME - QUICK HITCH
27	40534	1	BUSHING, ES QUICK HITCH
28	MADEINUSA	1	DECAL, MADE IN THE USA

DWG. NO.	40500			REV.	B
REV	CHANGE	BY	DATE	ECN	
IR	INITIAL RELEASE	T.B.B.	07/19/13	---	
A	A-FRAME 40519 WAS 40516.	C.K.N.	6/22/20	1766	
B	10098 WAS 10096; 40529 & 30 WERE 40519; 40534 WAS 40518; 40520 WAS 40517; 10469 WAS 10307.	M.J.Z.	6/30/21	1794	



All Dimensions in Inches Unless Otherwise Specified  
 Dimensions in [ ] are in Millimeters  
 Tolerance Unless Otherwise Specified  
 Fractional Dimensions ± 1/16" Angular Dimensions ± 1°  
 Decimal Dim. to Limits Shown All Holes to be +0 -1/32"

MODELED BY	T.B.B.	07/19/13	<b>HARDEE BY EVH MFG. CO.</b> LORIS S.C.	
DRAWN BY	T.B.B.	07/19/13		
MATERIAL	R.M.N.	N/A	DESCRIPTION	SHEET 1 of 1
Manufactured By: EVH Mfg. Co., LLC			ES-48 COMPLETE	
DO NOT SCALE	B	DWG. NO.	40500	