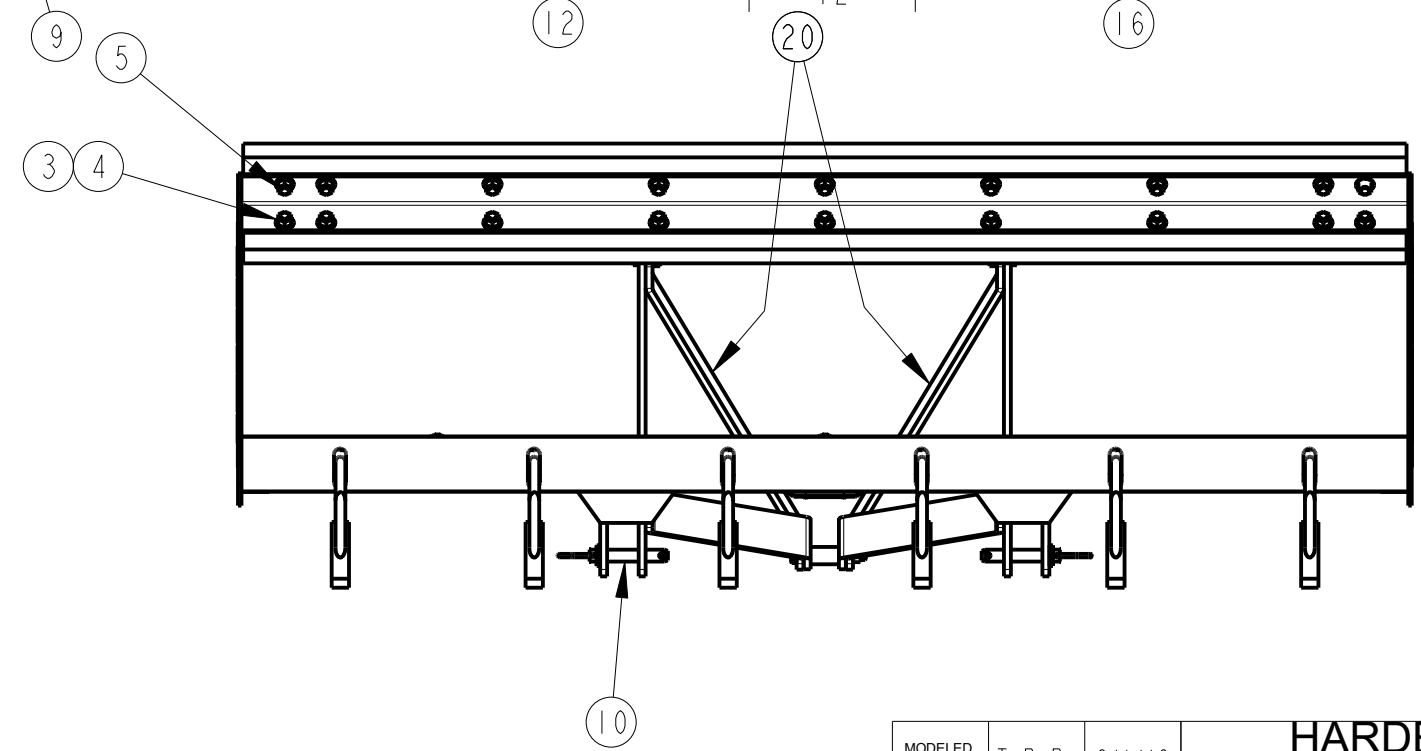
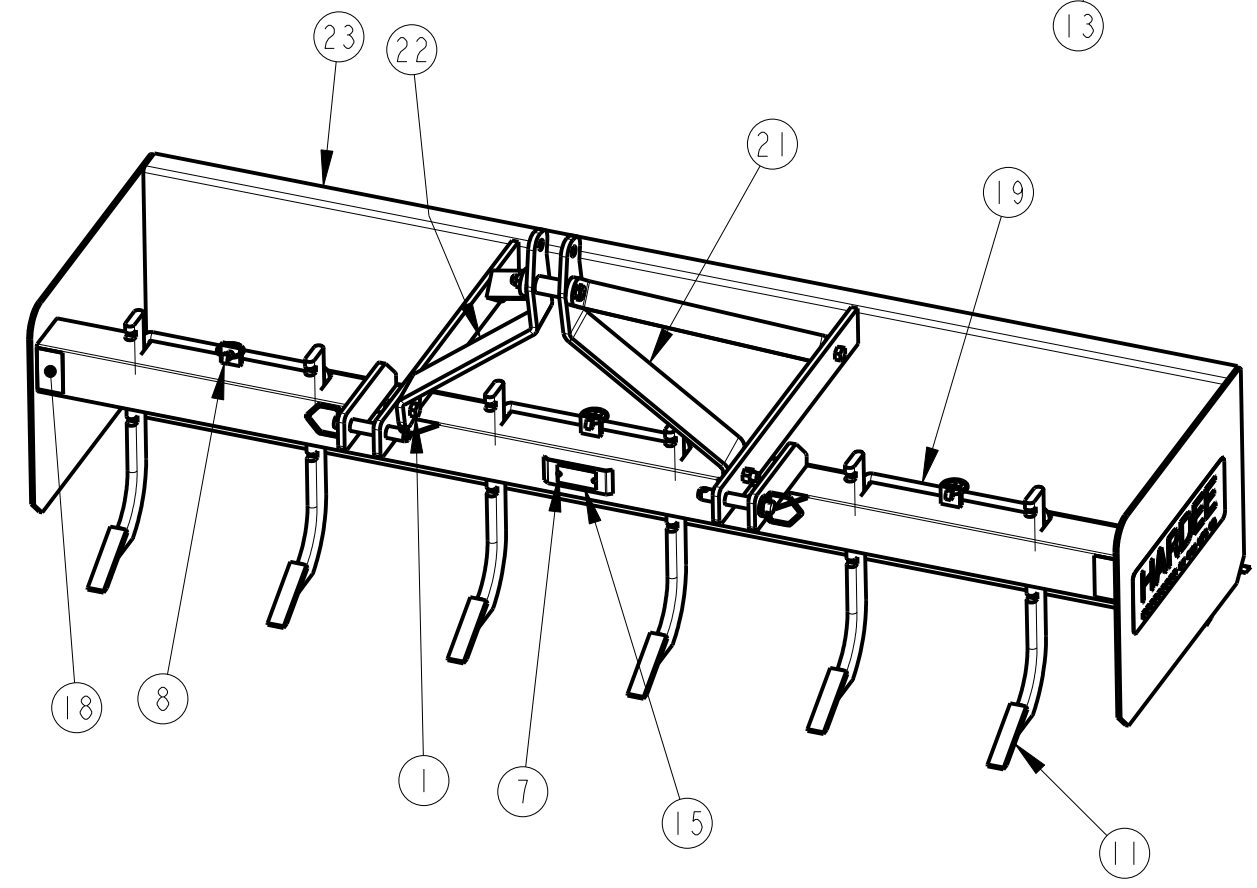
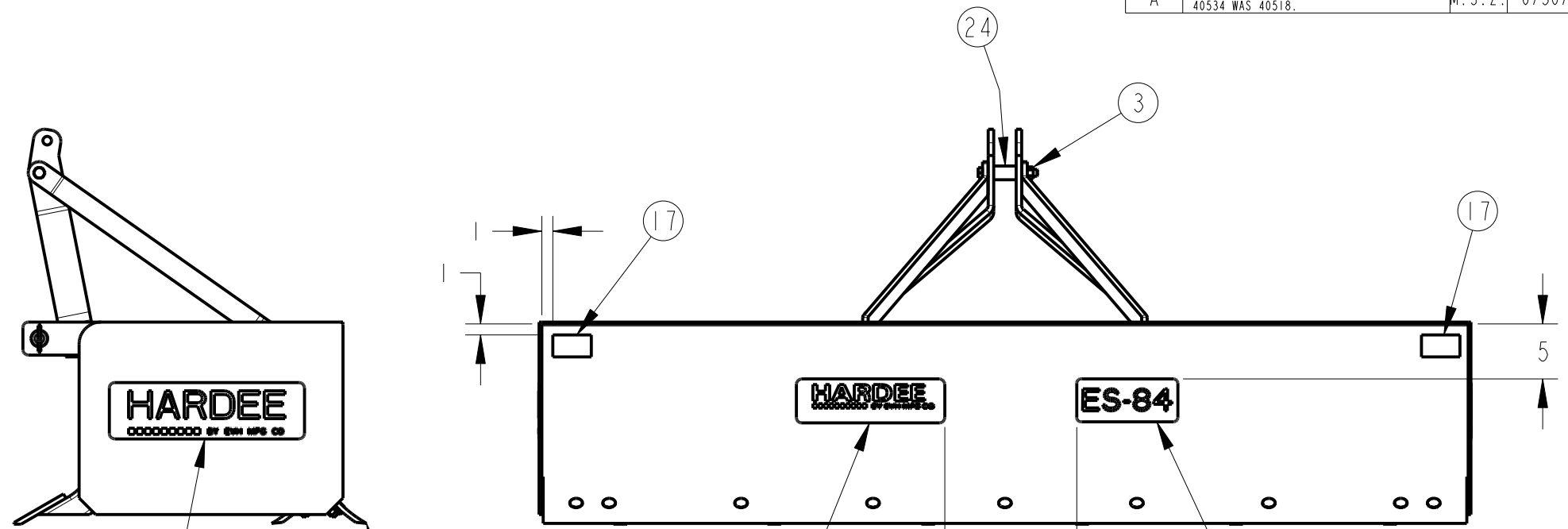


Item	Part Number	Qty.	Description
1	10092	4	HEX BOLT, 5/8" X 2" Gr.5 PLATED
2	10098	1	HEX BOLT, 5/8"-11 X 5" Gr.5 PLATED
3	10166	23	LOCKNUT, 5/8"-11 PLATED
4	10212	18	FLAT WASHER 5/8" S.A.E. PLATED
5	10262	18	PLOW BOLT, 5/8" X 1-1/2 Gr.5 PLATED
6	10335	1	HARDEE RED PAINT - (Not Shown)
7	10339	2	POP RIVET
8	10346	3	3 Pt. Snap Pin (Lynch Pin)
9	10433	2	BLADE, 84" CUTTING EDGE
10	10469	2	HITCH PIN (4-1/4" CAT. 1)
11	10485	6	SCARIFIER
12	11010	1	LARGE HARDEE LOGO DECAL
13	11131	2	DECAL, HARDEE BY EVH MFG (5 X 16)
14	11636	1	DECAL, Landscape & Disc Harrow Kit
15	11727	1	SERIAL NUMBER PLATE
16	11859	1	DECAL, MODEL ES-84
17	15852	2	RED REFLECTOR DECAL
18	15853	2	YELLOW REFLECTOR DECAL
19	40304	3	14" SCARIFER LOCK FOR BOX SCRAPER
20	40520	2	ES STRUT (CLEVIS STYLE)
21	40529	1	ES LEFT A-FRAME - QUICK HITCH
22	40530	1	ES RIGHT A-FRAME - QUICK HITCH
23	40531	1	ES-84 FRAME WELDMENT
24	40534	1	BUSHING, ES QUICK HITCH

DWG. NO.	40503			REV.	A
REV	CHANGE	BY	DATE	ECN	
IR	INITIAL RELEASE	T.B.B.	8/1/12	---	
A	10098 WAS 10095; 40529 & 30 WERE 40519; 40534 WAS 40518.	M.J.Z.	6/30/21	1794	



All Dimensions in Inches Unless Otherwise Specified
 Dimensions in [] are in Millimeters
 Tolerance Unless Otherwise Specified
 Fractional Dimensions: 1/16" Angular Dimensions: 1°
 Decimal Dim. to Limits Shown All Holes to be +0 -1/32"

MODELED BY	T.B.B.	8/1/12	HARDEE BY EVH MFG. CO. LORIS S.C.	
DRAWN BY	T.B.B.	8/1/12		
MATERIAL	R.M.N.	N/A	DESCRIPTION	SHEET 1 of 1
Manufactured By: EVH Mfg. Co., LLC			ES-84 COMPLETE	
DO NOT SCALE	B	DWG. NO.	40503	