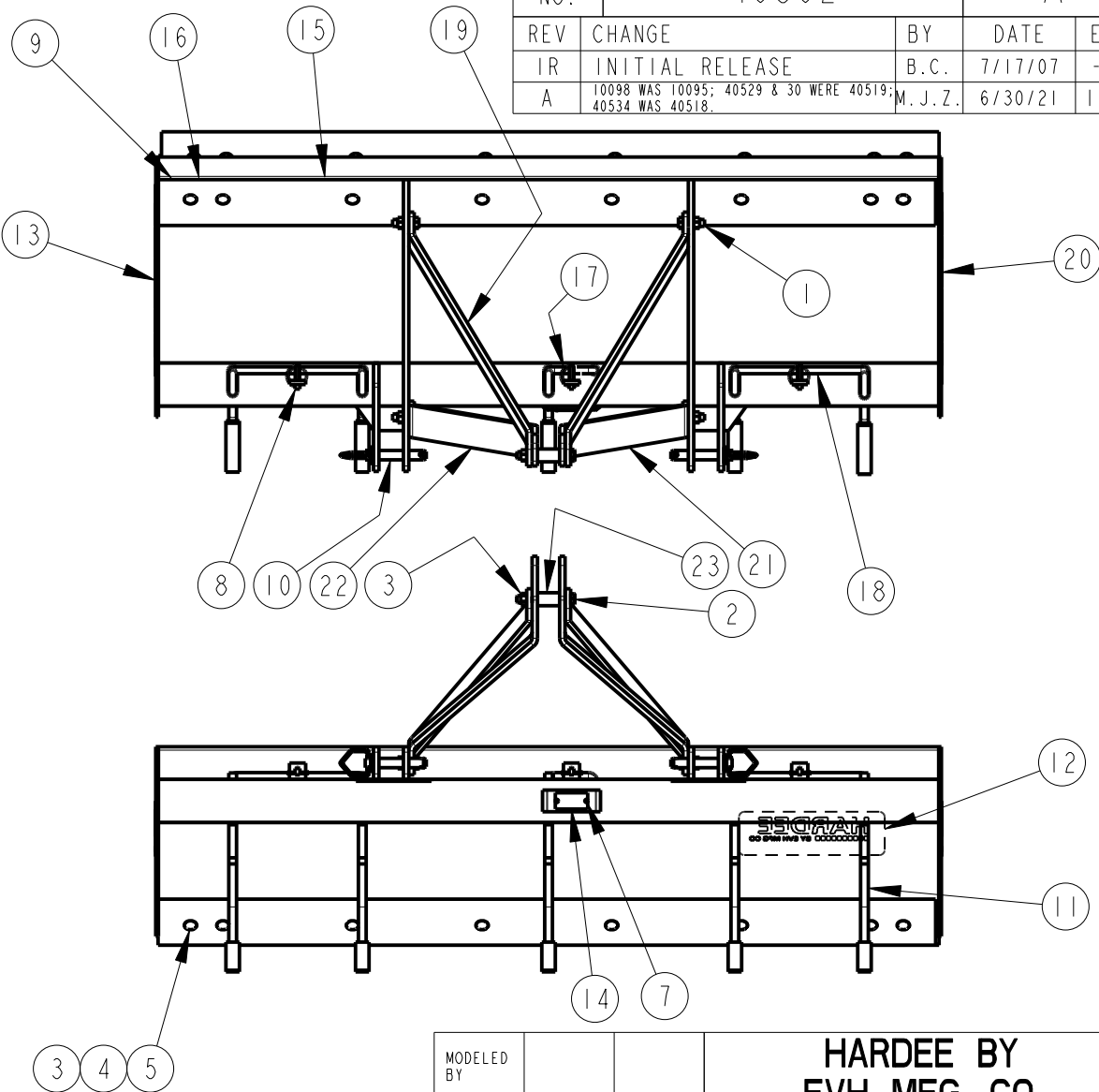


Item	Part Number	Qty.	Description
1	10092	4	HEX BOLT, 5/8" X 2" Gr.5 PLATED
2	10098	1	HEX BOLT, 5/8"-11 X 5" Gr.5 PLATED
3	10166	21	LOCKNUT, 5/8"-11 PLATED
4	10212	16	FLAT WASHER, 5/8" S.A.E. PLATED
5	10262	16	PLOW BOLT, 5/8" X 1-1/2 Gr.5 PLATED
6	10335	1	HARDEE RED PAINT - (Not Shown)
7	10339	2	POP RIVET
8	10346	3	3 Pt. Snap Pin (Lynch Pin)
9	10432	2	72" CUTTING EDGE
10	10469	2	HITCH PIN (4-1/4" CAT. 1)
11	10485	5	SCARIFIER
12	11010	1	LARGE HARDEE LOGO DECAL
13	11131	2	DECAL, HARDEE BY EVH MFG (5 X 16)
14	11727	1	SERIAL NUMBER PLATE
15	11858	1	DECAL, MODEL ES-72
16	15852	2	RED REFLECTOR DECAL
17	40162	1	SCARIFIER LOCK
18	40163	2	SCARIFIER LOCK
19	40520	2	ES STRUT (CLEVIS STYLE)
20	40526	1	ES-72 FRAME WELDMENT
21	40529	1	ES LEFT A-FRAME - QUICK HITCH
22	40530	1	ES RIGHT A-FRAME - QUICK HITCH
23	40534	1	BUSHING, ES QUICK HITCH



DWG. NO.	40502		REV. A	
REV	CHANGE	BY	DATE	ECN
IR	INITIAL RELEASE	B.C.	7/17/07	---
A	10098 WAS 10095; 40529 & 30 WERE 40519; 40534 WAS 40518.	M. J. Z.	6/30/21	1794

MODELED BY		<b>HARDEE BY EVH MFG. CO.</b>	
DRAWN BY	B.C.	7/17/07	LORIS S.C.
MATERIAL	R.M.N.	DESCRIPTION	SHEET 1 of 1
	N/A	ES-72 COMPLETE	
Manufactured By: EVH Mfg. Co., LLC		DO NOT SCALE	A DWG. NO. 40502

All Dimensions in Inches Unless Otherwise Specified  
Dimensions in [ ] are in Millimeters  
Tolerance Unless Otherwise Specified  
Fractional Dimensions ± 1/16" Angular Dimensions ± 1°  
Decimal Dim. to Limits Shown All Limits to be +0 -1/32"

