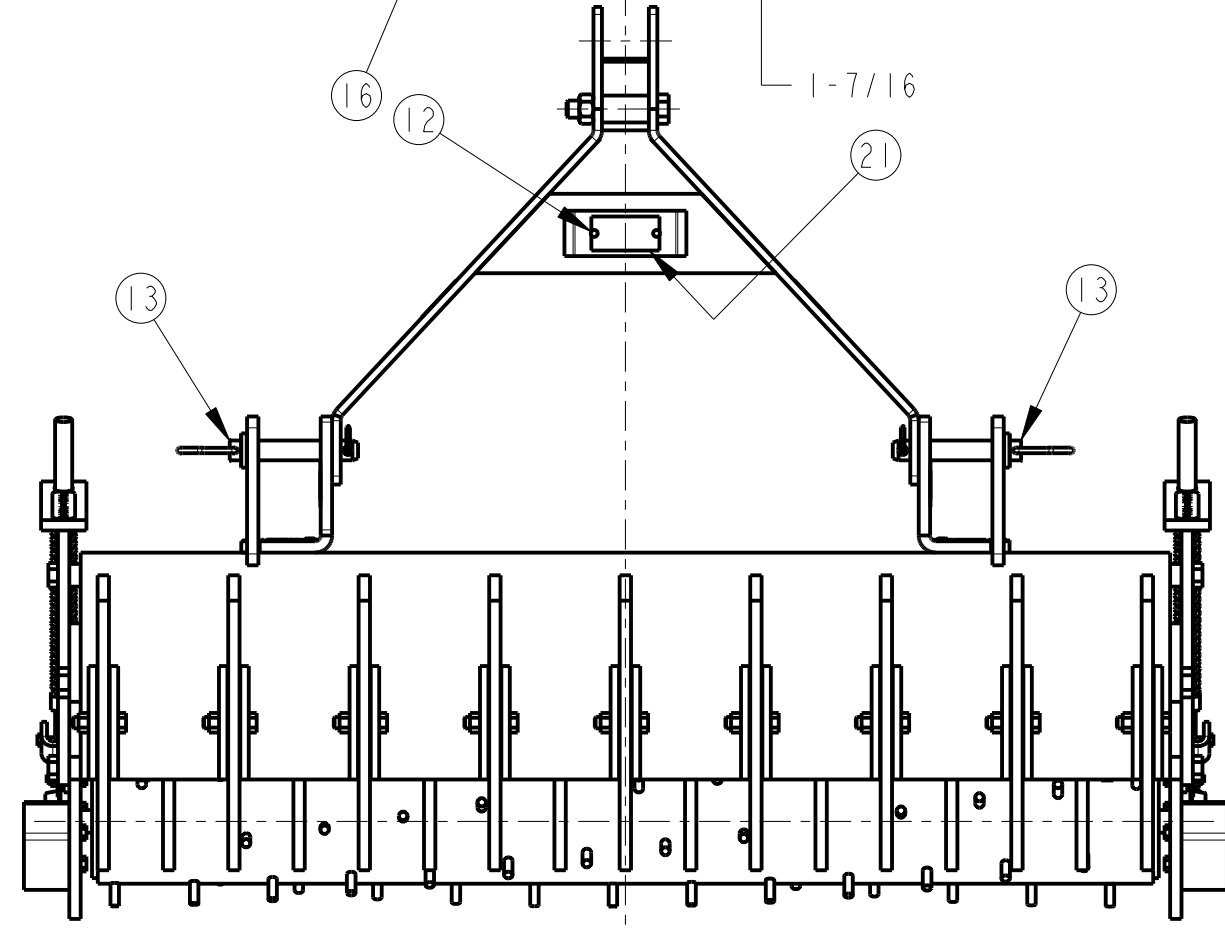
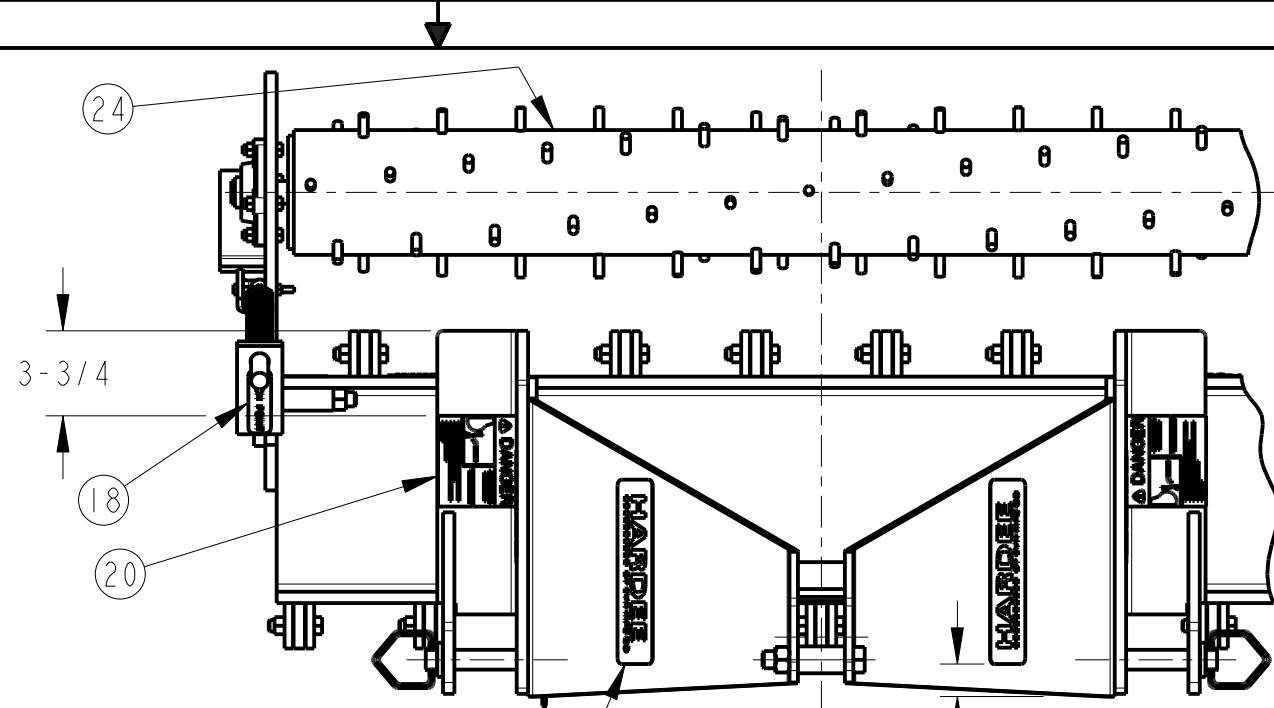
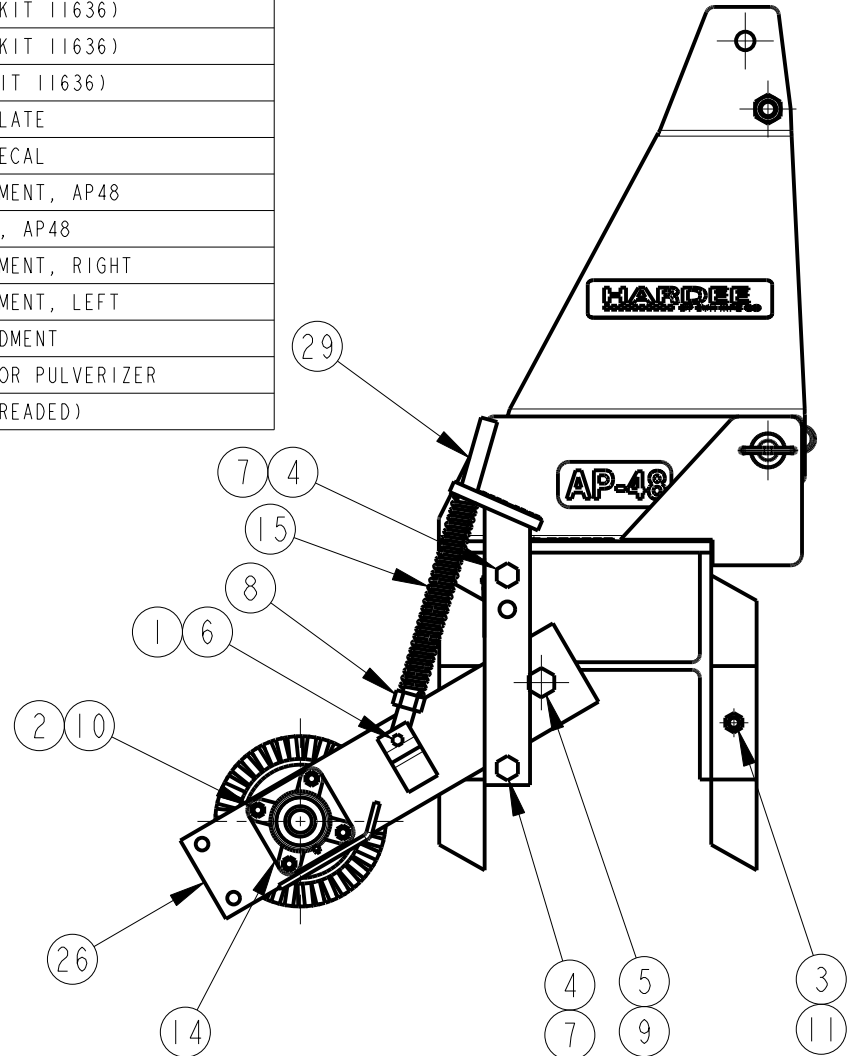


Item	Part Number	Qty.	Description
1	10005	2	HEX BOLT, 1/4" X 2-1/2" Gr.5 Plated
2	10032	8	HEX BOLT, 3/8 x 1-1/2 Gr.5 PLATED
3	10073	17	HEX BOLT, 1/2 x 2 Gr.5 Plated
4	10097	4	HEX BOLT, 5/8-11 x 4-1/2" Gr.5 Plated
5	10116	2	HEX BOLT, 3/4 x 4-1/2 Gr.5 Plated
6	10153	2	LOCKNUT, 1/4" PLATED
7	10166	4	LOCKNUT, 5/8"-11 PLATED
8	10167	2	HEX NUT, 3/4" (Gr.5 PLATED)
9	10168	2	LOCKNUT, 3/4"-10 (Gr.5 Plated)
10	10175	8	LOCKNUT, 3/8"-16 Gr.5 PLATED
11	10176	17	LOCKNUT, 1/2" (Gr.5 Plated)
12	10339	2	POP RIVET
13	10469	2	HITCH PIN (4-1/4" CAT. 1)
14	10473	2	4 BOLT FLANGED BEARING
15	10474	2	SPRING, COMPRESSION, 1-1/8 DIA. X 9
16	11032	2	DECAL, SMALL HARDEE LOGO
17	11118	2	AP-48 DECAL
18	11636-3	2	WARNING DECAL (KIT 11636)
19	11636-4	2	WARNING DECAL (KIT 11636)
20	11636-5	2	DANGER DECAL (KIT 11636)
21	11727	1	SERIAL NUMBER PLATE
22	15852	2	RED REFLECTOR DECAL
23	40096	1	MAIN FRAME WELDMENT, AP48
24	40097	1	ROLLER WELDMENT, AP48
25	40099	1	ROLLER ARM WELDMENT, RIGHT
26	40100	1	ROLLER ARM WELDMENT, LEFT
27	40101	2	TENSION BAR WELDMENT
28	40115	17	CUTTING TOOTH FOR PULVERIZER
29	40124	2	TENSION ROD (THREADED)



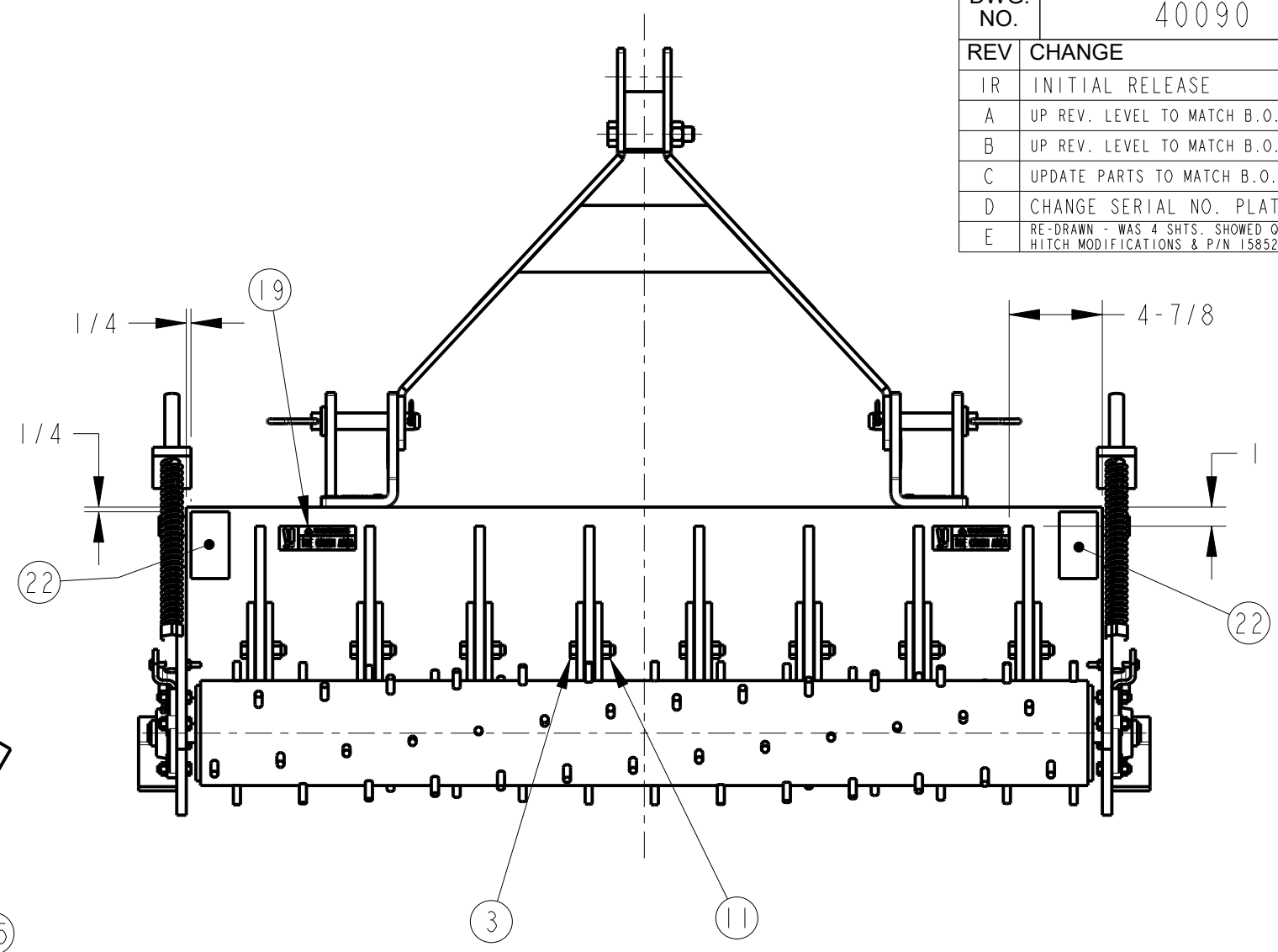
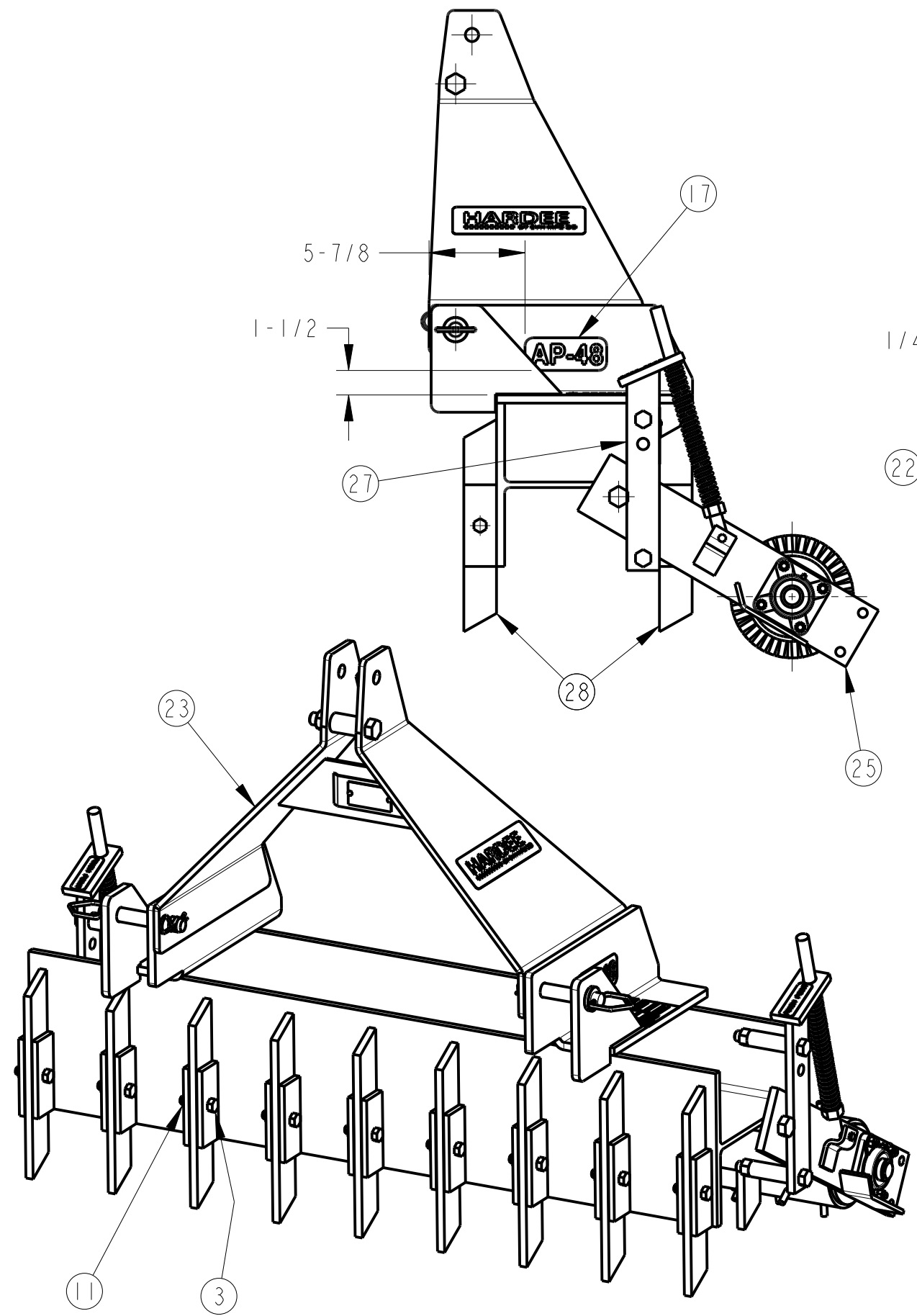
DWG. NO.	40090		REV. E	
REV	CHANGE	BY	DATE	ECN
IR	INITIAL RELEASE	M. J. T.	12/23/97	---
A	UP REV. LEVEL TO MATCH B.O.M.	T. R. M.	12/14/99	0522
B	UP REV. LEVEL TO MATCH B.O.M.	T. R. M.	12/14/99	0586
C	UPDATE PARTS TO MATCH B.O.M.	T. O. B.	4/13/00	0764
D	CHANGE SERIAL NO. PLATE	T. R. M.	6/8/00	0792
E	RE-DRAWN - WAS 4 SHTS. SHOWED OK. HITCH MODIFICATIONS & P/N 15852.	M. J. Z.	12/10/21	1802

All Dimensions in Inches Unless Otherwise Specified
Dimensions in [] are in Millimeters
Tolerance Unless Otherwise Specified
Fractional Dimensions: 1/16" Angular Dimensions: 1°
Decimal Dim. to Limits Shown All Holes to be +0 -1/32"

MODELED BY	M. J. Z.	11/19/21
CHECKED BY	C. K. N.	12/6/21
MATERIAL	R.M.N.	N/A
Manufactured By: EVH Mfg. Co., LLC		

HARDEE BY EVH MFG. CO. LORIS S.C.	
DESCRIPTION	SHEET 1 of 2
AP-48 REAR PULVERIZER	
DO NOT SCALE	DWG. NO. 40090

DWG. NO.	40090			REV.	E
REV	CHANGE	BY	DATE	ECN	
IR	INITIAL RELEASE	M. J. T.	12/23/97	---	
A	UP REV. LEVEL TO MATCH B.O.M.	T. R. M.	12/14/99	0522	
B	UP REV. LEVEL TO MATCH B.O.M.	T. R. M.	12/14/99	0586	
C	UPDATE PARTS TO MATCH B.O.M.	T. O. B.	4/13/00	0764	
D	CHANGE SERIAL NO. PLATE	T. R. M.	6/8/00	0792	
E	RE-DRAWN - WAS 4 SHTS. SHOWED OK. HITCH MODIFICATIONS & P/N 15852.	M. J. Z.	12/10/21	1802	



All Dimensions in Inches Unless Otherwise Specified
 Dimensions in [] are in Millimeters
 Tolerance Unless Otherwise Specified
 Fractional Dimensions: 1/16" Angular Dimensions: 1°
 Decimal Dim. to Limits Shown All Holes to be +0 -1/32"

MODELED BY	M. J. Z.	11/19/21	HARDEE BY EVH MFG. CO. LORIS S.C.	
CHECKED BY	C. K. N.	12/6/21		
MATERIAL	R.M.N. N/A		DESCRIPTION	SHEET 2 of 2
Manufactured By: EVH Mfg. Co., LLC			DO NOT SCALE	DWG. NO. 40090