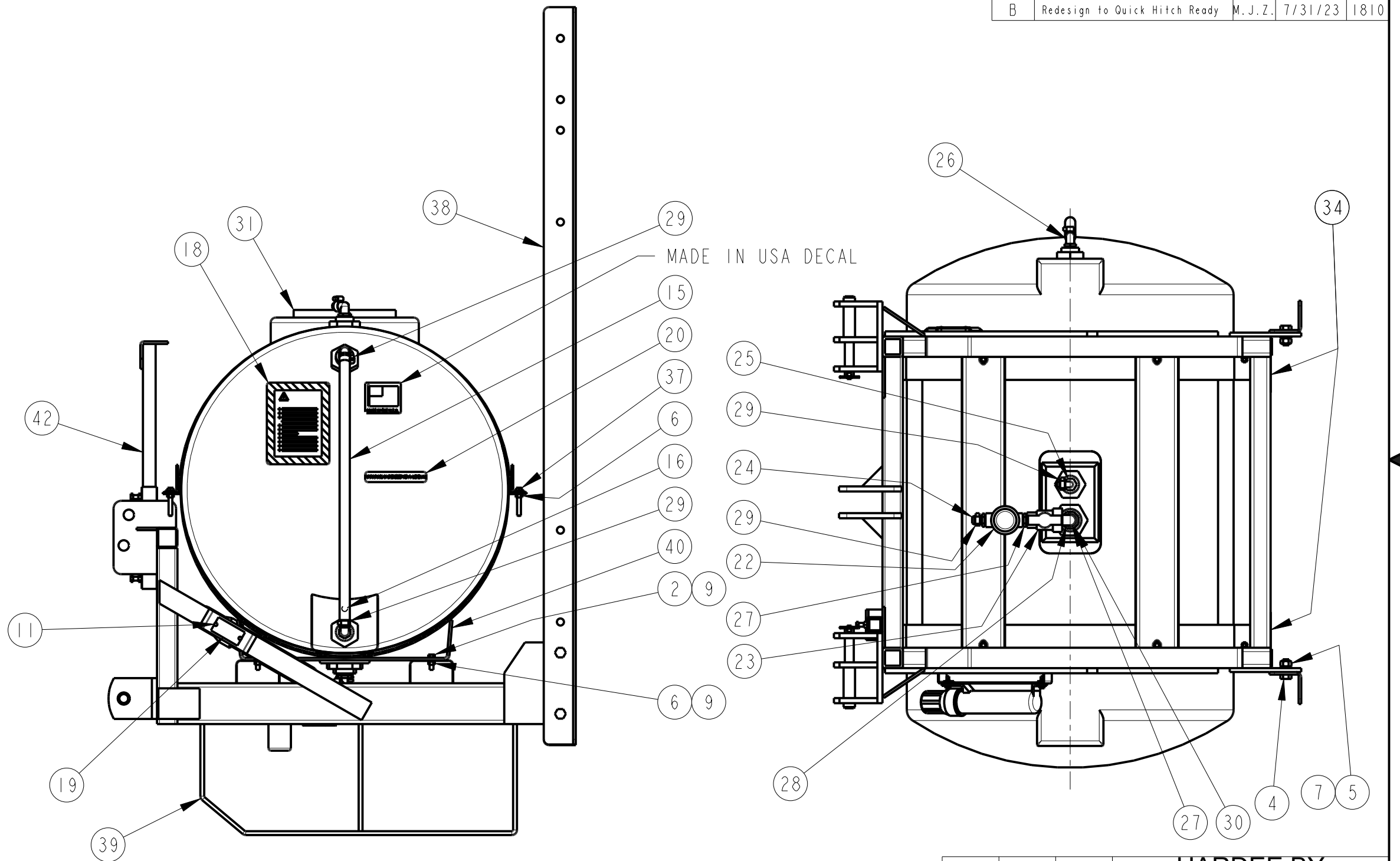


Item	Part Number	Qty.	Description
1	10002	2	HEX BOLT, 1/4-20 X 1 Gr.5 PLATED
2	10029	4	HEX BOLT, 3/8-16 X 1-1/4 Gr.5 PLATED
3	10031	2	HEX BOLT, 3/8 X 1 Gr. 5 PLATED
4	10091	4	HEX BOLT, 5/8 X 1-1/2 Gr.5 PLATED
5	10165	4	HEX NUT, 5/8" PLATED
6	10175	8	LOCKNUT, 3/8"-16 Gr.5 PLATED
7	10185	4	LOCKWASHER, 5/8" PLATED
8	10200	2	FLATWASHER, 1/4" PLATED
9	10202	8	FLATWASHER, 3/8" PLATED
10	10335	1	HARDEE RED PAINT - (NOT SHOWN)
11	10339	2	POP RIVET
12	10346	2	3 Pt. Snap Pin (Lynch Pin)
13	10464	2	CATEGORY I & II HITCH PIN
14	10773	1	AGITATOR
15	10797	1	HOSE, CLEAR, 3/4 ID X 1/8 W (28" LG.)
16	10804	1	FLOAT, LEVEL INDICATING
17	11010	1	LARGE HARDEE LOGO DECAL
18	11016	1	DECAL, SPRAYER SAFETY
19	11727	1	SERIAL NUMBER PLATE
20	11850	1	DECAL, WEB SITE
21	11860	10	TIE STRAP, (14" LG.) (100/PK)
22	12706	1	STRAINER, 3/4" LINE
23	13007	1	BALL VALVE, 3/4" FPT POLY
24	13319	1	ADAPTER, 3/4"HB X 3/4"MNPT POLY
25	13353	1	ELBOW, 1/2"HB X 3/4"MNPT POLY
26	13355	3	ELBOW, 3/4"HB X 3/4"MNPT POLY
27	13396	2	CLOSE NIPPLE, 3/4" POLY
28	13509	1	STREET ELBOW, 3/4" NPT POLY
29	13531	5	HOSE CLAMP, 57 SERIES, 5/8" - 3/4"
30	13846	1	BUSHING, 1-1/4 X 3/4
31	14982	1	150 GALLON TANK, 32 X 52
32	15477	2	WEBBING STRAP, 2" (73" LONG)
33	15478	4	STRAP END, NYLON TANK
34	15852	2	RED REFLECTOR DECAL
35	15854	1	MANUAL HOLDER CANISTER
36	15860	2	U-NUT, 1/4"-20 UNC
37	15911	4	HEX BOLT, 3/8 X 2-1/2 Gr.5 PLATED
38	30067	2	UPRIGHT MEMBER
39	30240	1	110/150 GAL. FRAME WELDMENT
40	30287	2	TANK SADDLE WELDMENT, 32" DIA.
41	30321	1	TANK INSERT, 150 GALLON
42	30455	1	CONTROL STAND WELDMENT, SPRAYER

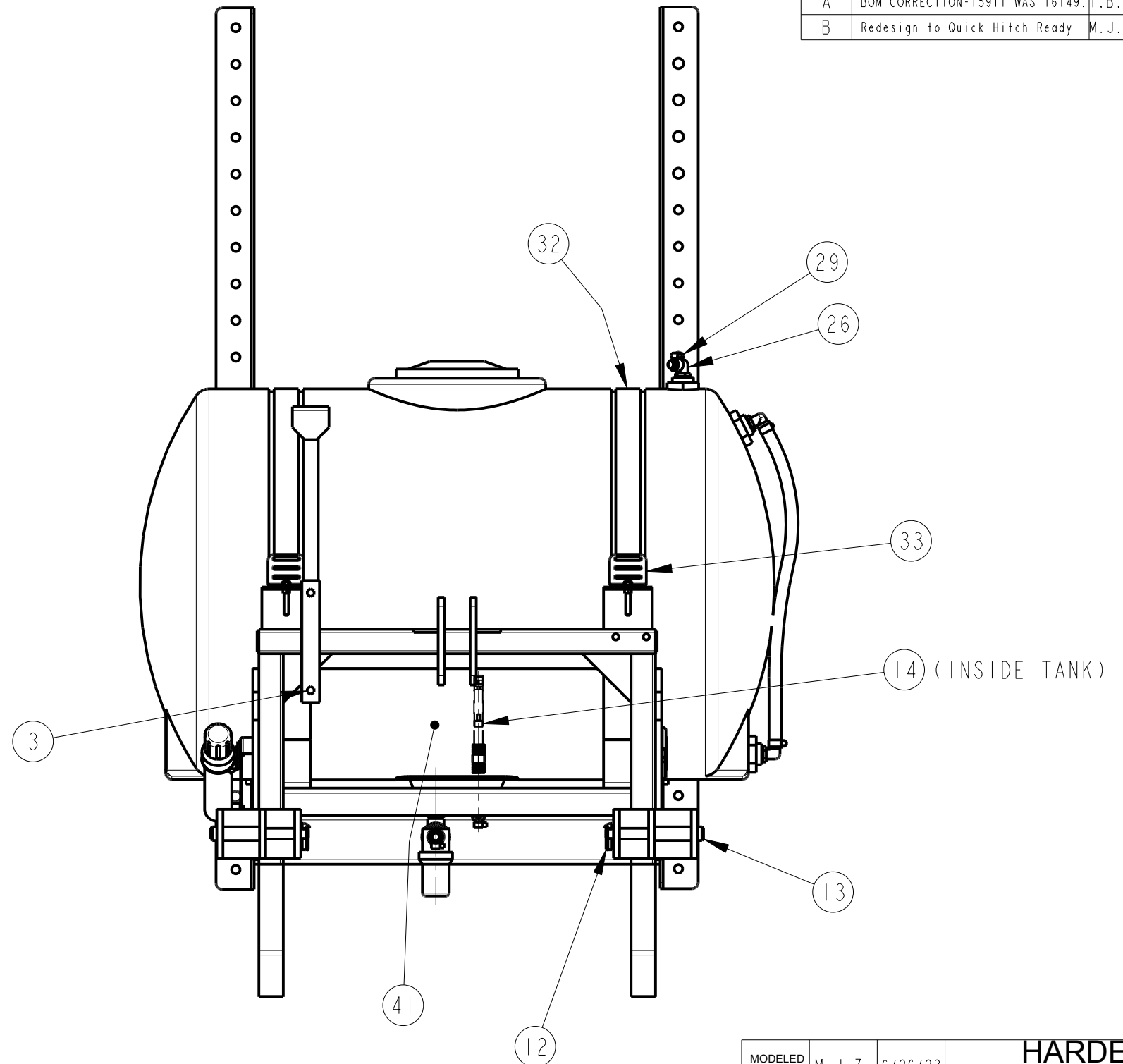
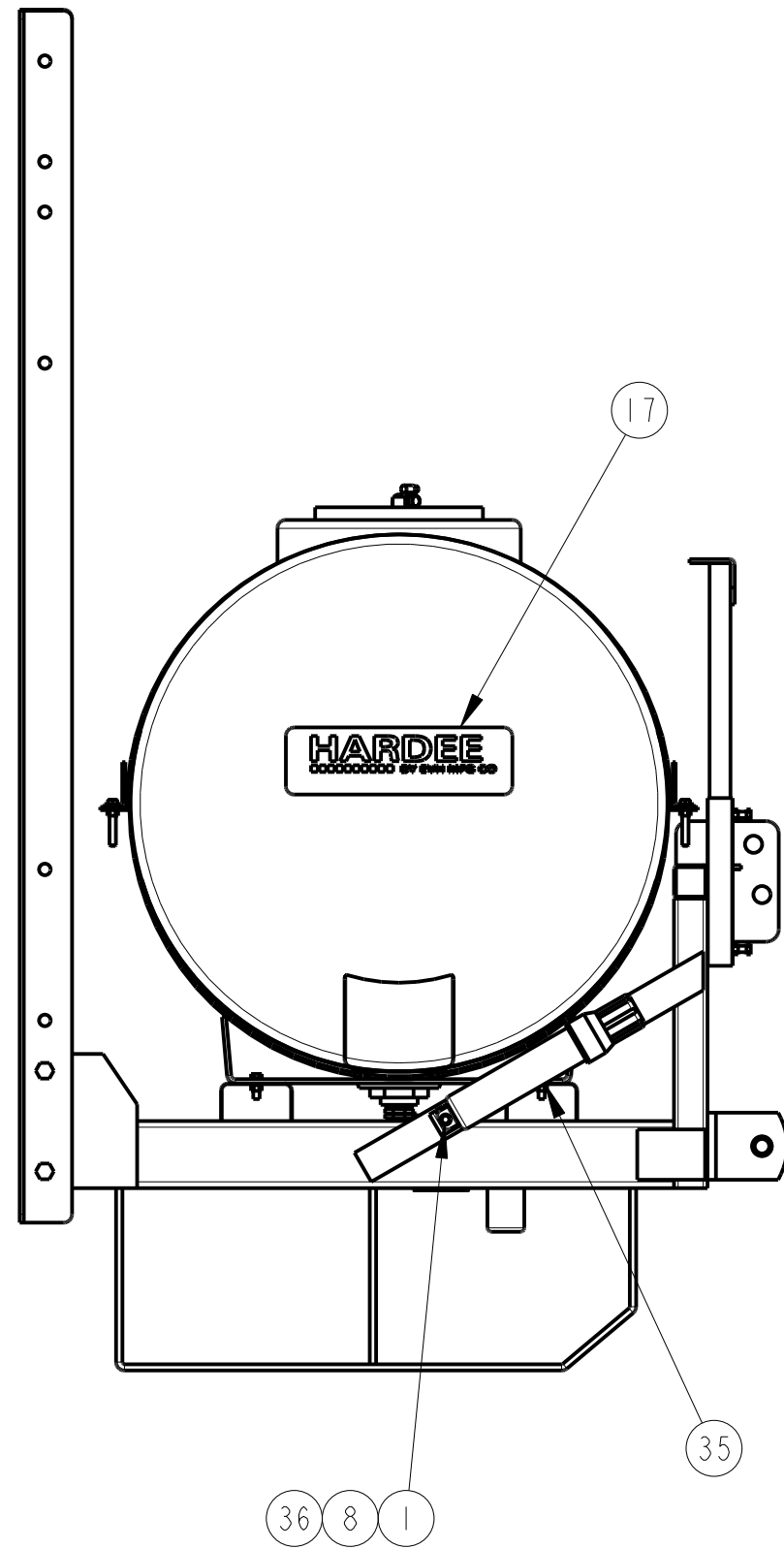
DWG. NO.	30320		REV.	B	
REV	CHANGE	BY	DATE	ECN	
IR	INITIAL RELEASE	B.C.	7/12/07	---	
A	BOM CORRECTION-15911 WAS 16149.	T.B.B.	10/2/15	1631	
B	Redesign to Quick Hitch Ready	M.J.Z.	7/31/23	1810	



All Dimensions in Inches Unless Otherwise Specified  
Dimensions in [ ] are in Millimeters  
Tolerance Unless Otherwise Specified  
Fractional Dimensions: 1/16" Angular Dimensions: 1°  
Decimal Dim. to Limits Shown All Holes to be +0 -1/32"

MODELED BY	M. J. Z.	6/26/23	<b>HARDEE BY EVH MFG. CO.</b> LORIS S.C.	
CHECKED BY	C. K. N.	7/ /23		
MATERIAL	R.M.N. N/A		DESCRIPTION	SHEET 1 of 2
Manufactured By: EVH Mfg. Co., LLC			L-150 SPRAYER FRAME AND TANK	
DO NOT SCALE	B DWG SIZE	DWG. NO.	30320	

DWG. NO.	30320	REV.	B	
REV	CHANGE	BY	DATE	ECN
IR	INITIAL RELEASE	B.C.	7/12/07	---
A	BOM CORRECTION-15911 WAS 16149.	T.B.B.	10/2/15	1631
B	Redesign to Quick Hitch Ready	M.J.Z.	7/31/23	1810



All Dimensions in Inches Unless Otherwise Specified  
 Dimensions in [ ] are in Millimeters  
 Tolerance Unless Otherwise Specified  
 Fractional Dimensions: 1/16" Angular Dimensions: ± 1°  
 Decimal Dim. to Limits Shown All Holes to be +0 -1/32"

MODELED BY	M. J. Z.	6/26/23	<b>HARDEE BY EVH MFG. CO.</b> LORIS S.C.	
CHECKED BY	C. K. N.	7/ /23		
MATERIAL	R.M.N. N/A		DESCRIPTION	SHEET 2 of 2
Manufactured By: EVH Mfg. Co., LLC			L-150 SPRAYER FRAME AND TANK	
DO NOT SCALE	B DWG SIZE	DWG. NO.	30320	