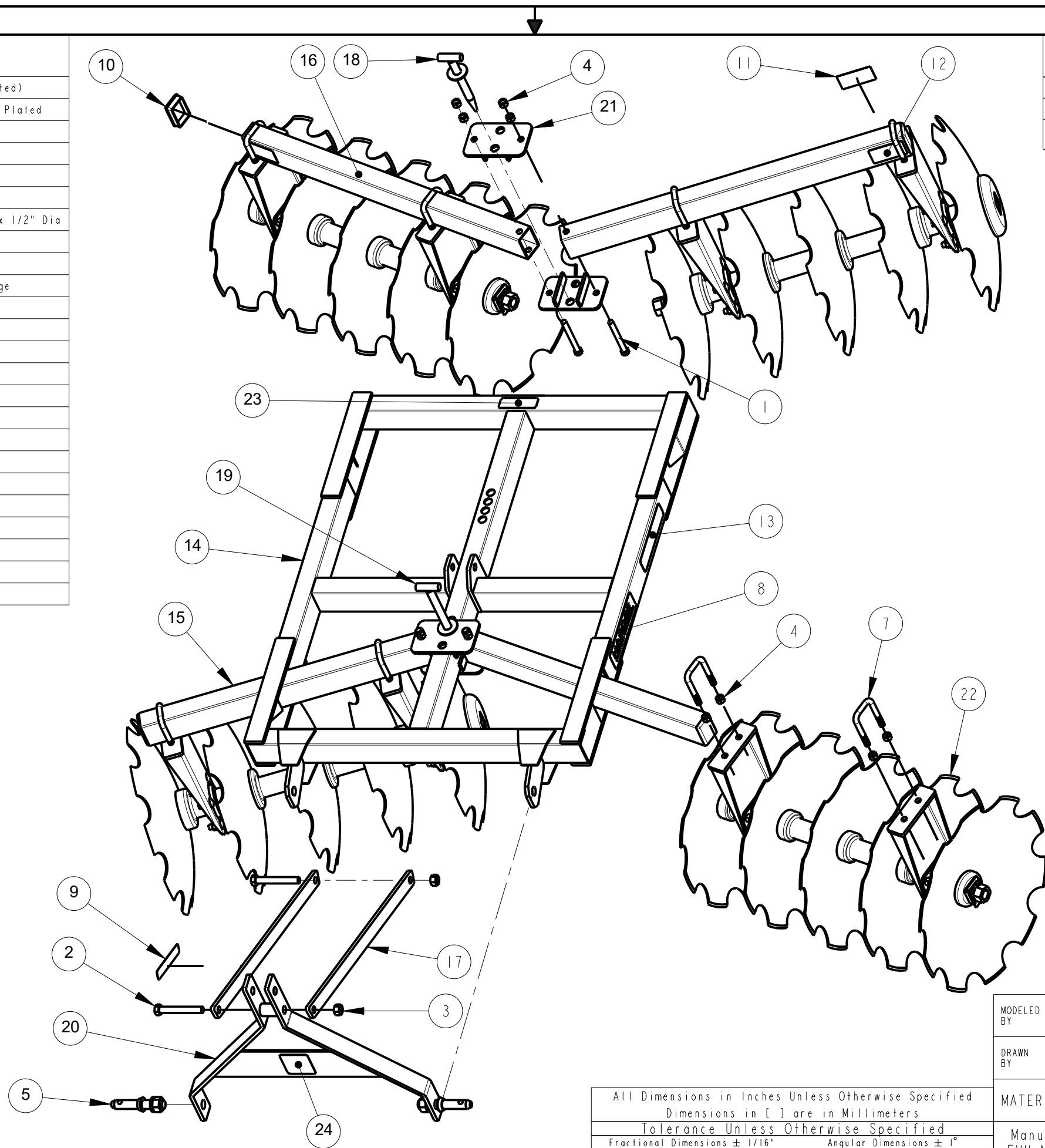


Item	Part Number	Qty.	Description
1	10078	4	1/2 X 4 1/2 Hex Bolt (Gr.5 Plated)
2	10097	2	Hex Bolt 5/8"-11 x 4 1/2" gr.5 Plated
3	10166	2	Lock Nut 5/8"-11 plated
4	10176	24	1/2" Locknut (Gr.5 Plated)
5	10307	2	CATEGORY I HITCH PIN
6	10335	1	Hardee Red Paint - (Not Shown)
7	10855	8	U-Bolt, PLATED Sq 3-1/2" x 4"x 1/2" Dia
8	11032	2	DECAL, SMALL HARDEE LOGO
9	11850	1	DECAL, WEB SITE
10	15464	4	Tubing Insert, 3" X 2" X 10 Gage
11	15852	2	RED REFLECTOR DECAL
12	15853	2	YELLOW REFLECTOR DECAL
13	15895	2	D-10-2020 Model Decal
14	60510	1	D-10 MAIN FRAME WELDMENT
15	60520	2	GANG BEAM (30")
16	60521	2	GANG BEAM REAR (35-1/2")
17	60522	2	A-FRAME BRACE
18	60527	1	Gang Pin Rear Weldment
19	60530	1	Gang Pin Front Weldment
20	60536	1	D-10 A-FRAME WELDMENT
21	60539	4	GANG TIE PLATE WELDMENT
22	60563	4	D-10-2020 Gang Assembly
23	11636-ITEM_4	1	TOE CRUSH DECAL (4 X 1.25)
24	11636-ITEM_5	1	Crushing Hazard Decal (3 X 3)



DWG. NO.	60561		REV. A	
REV	CHANGE	BY	DATE	ECN
IR	INITIAL RELEASE	R.T.N.	8/23/05	---
A	SHOWED A-FRAME QUICK HITCH MODIFICATIONS.	M.J.Z.	7/24/20	1775

All Dimensions in Inches Unless Otherwise Specified
Dimensions in [] are in Millimeters
Tolerance Unless Otherwise Specified
Fractional Dimensions ± 1/16" Angular Dimensions ± 1°
Decimal Dim. to Limits Shown All Holes to be +0 -1/32"

MODELED BY	J.O.C.	8/23/05	EVH MFG. CO. LORIS S.C.	
DRAWN BY	R.T.N.	8/23/05		
MATERIAL	R.M.N.	N/A	DESCRIPTION	SHEET 1 of 1
Manufactured By: EVH Mfg. Co., LLC			D-10-2020 ASSEMBLY	
DO NOT SCALE	B	DWG. NO.	60561	
	DWG SIZE			