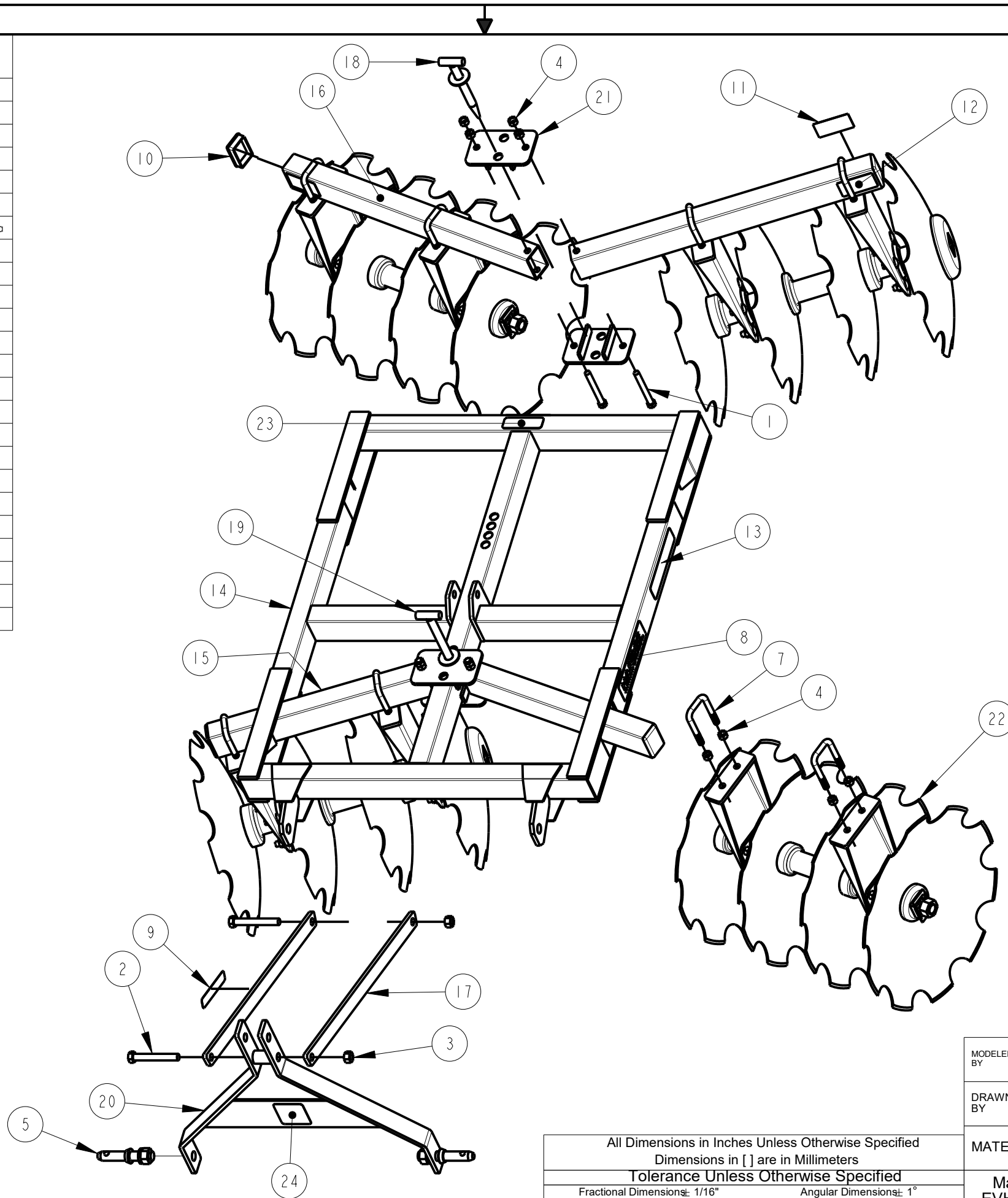


| Item | Part Number | Qty. | Description |
|------|--------------|------|-----------------------------------------|
| 1 | 10078 | 4 | 1/2 X 4 1/2 Hex Bolt (Gr.5 Plated) |
| 2 | 10097 | 2 | Hex Bolt 5/8"-11 x 4 1/2" gr.5 Plated |
| 3 | 10166 | 2 | Lock Nut 5/8"-11 plated |
| 4 | 10176 | 24 | 1/2" Locknut (Gr.5 Plated) |
| 5 | 10307 | 2 | CATEGORY I HITCH PIN |
| 6 | 10335 | 1 | Hardee Red Paint - (Not Shown) |
| 7 | 10855 | 8 | U-Bolt, PLATED Sq 3-1/2" x 4"x 1/2" Dia |
| 8 | 11032 | 2 | DECAL, SMALL HARDEE LOGO |
| 9 | 11850 | 1 | DECAL, WEB SITE |
| 10 | 15464 | 4 | Tubing Insert, 3" X 2" X 10 Gage |
| 11 | 15852 | 2 | RED REFLECTOR DECAL |
| 12 | 15853 | 2 | YELLOW REFLECTOR DECAL |
| 13 | 15894 | 2 | D-10-1620 Model Decal |
| 14 | 60510 | 1 | D-10 MAIN FRAME WELDMENT |
| 15 | 60519 | 2 | Gang Beam (22") |
| 16 | 60520 | 2 | Gang Beam (30") |
| 17 | 60522 | 2 | A-FRAME BRACE |
| 18 | 60527 | 1 | Gang Pin Rear Weldment |
| 19 | 60530 | 1 | Gang Pin Front Weldment |
| 20 | 60536 | 1 | D-10 A-FRAME WELDMENT |
| 21 | 60539 | 4 | GANG TIE PLATE WELDMENT |
| 22 | 60562 | 4 | D-10-1620 GANG ASSEMBLY |
| 23 | 11636-ITEM_4 | 1 | Toe Crush Decal (4 X 1.25) |
| 24 | 11636-ITEM_5 | 1 | Crushing Hazard Decal (3 X 3) |



| | | | | | |
|----------|-------------------------------------------|--------|---------|------|--|
| DWG. NO. | 60560 | | REV. | A | |
| REV | CHANGE | BY | DATE | ECN | |
| IR | INITIAL RELEASE | R.T.N. | 8/26/05 | --- | |
| A | SHOWED A-FRAME QUICK HITCH MODIFICATIONS. | M.J.Z. | 7/24/20 | 1775 | |

All Dimensions in Inches Unless Otherwise Specified
Dimensions in [] are in Millimeters
Tolerance Unless Otherwise Specified
Fractional Dimensions: 1/16" Angular Dimensions: 1°
Decimal Dim. to Limits Shown All Holes to be +0 -1/32"

| | | | | |
|---------------------------------------|-----------|----------|--------------------------------------------------|--------------|
| MODELED BY | J.O.C. | 8/23/05 | HARDEE BY EVH MFG. CO. LORIS S.C. | |
| DRAWN BY | R.T.N. | 8/23/05 | | |
| MATERIAL | R.M.N. | N/A | DESCRIPTION | SHEET 1 of 1 |
| Manufactured By: EVH Mfg. Co., LLC | | | D-10-1620 ASSEMBLY | |
| DO NOT SCALE | B | DWG. NO. | 60560 | |
| | DWG. SIZE | | | |