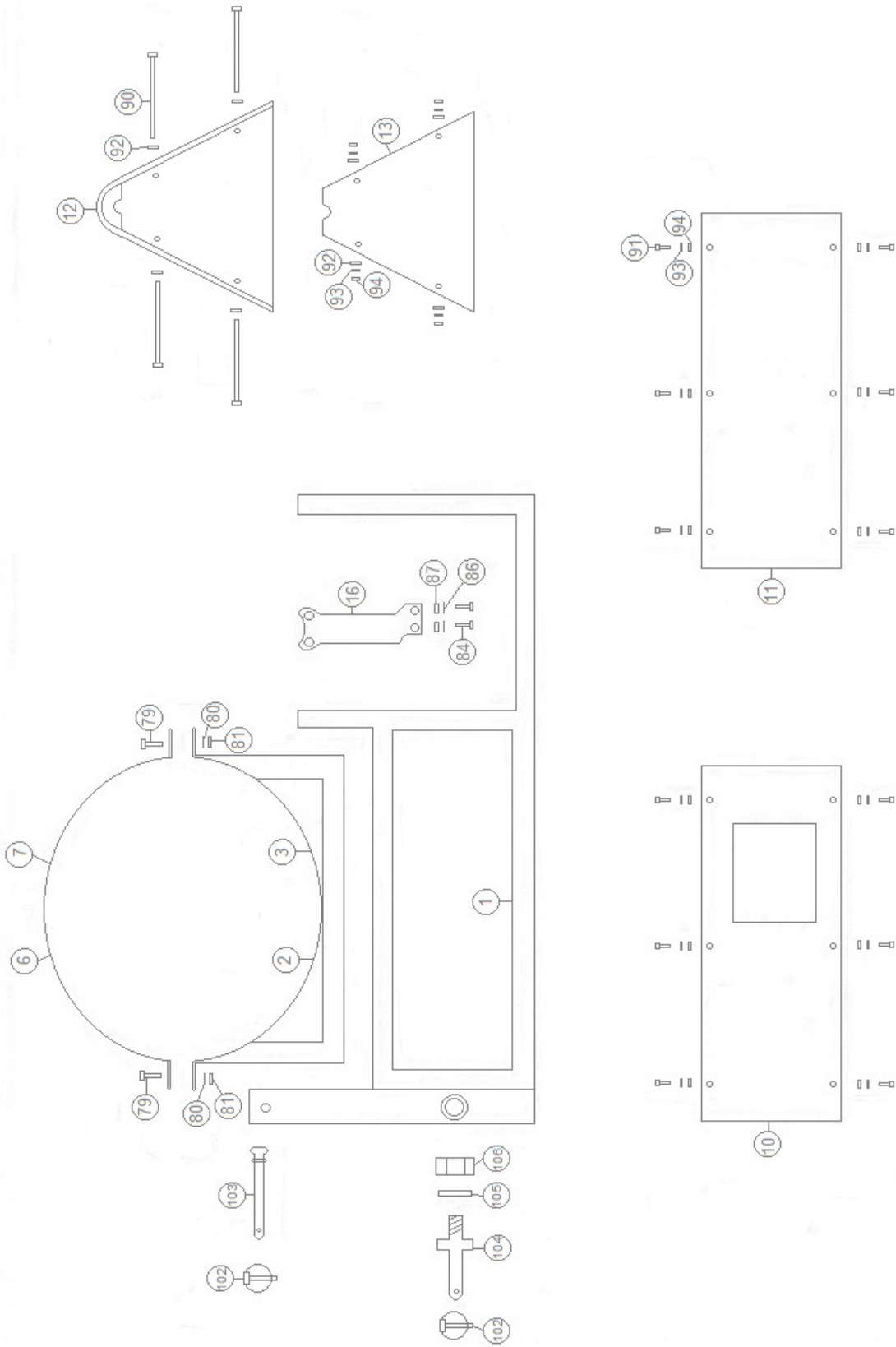
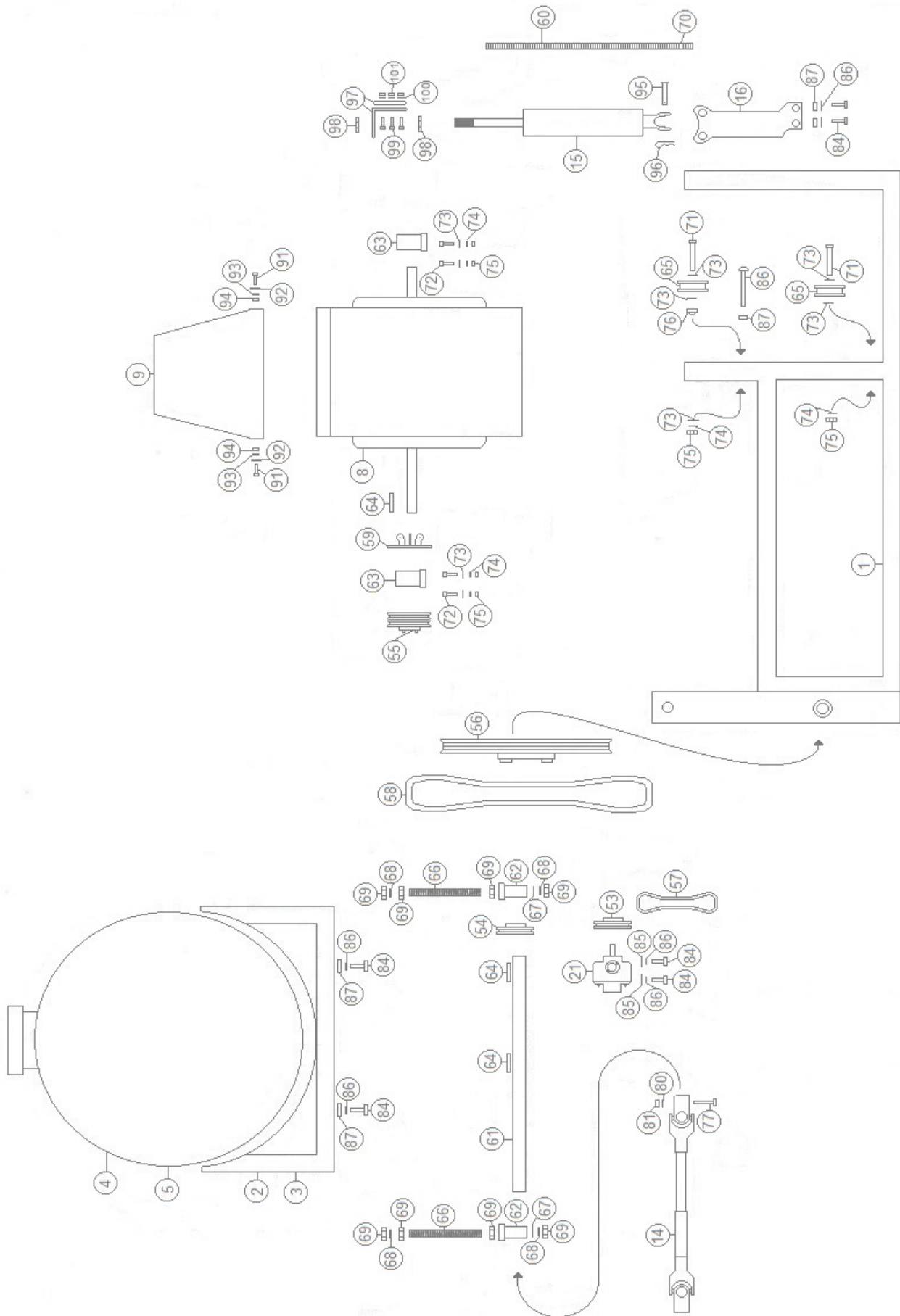


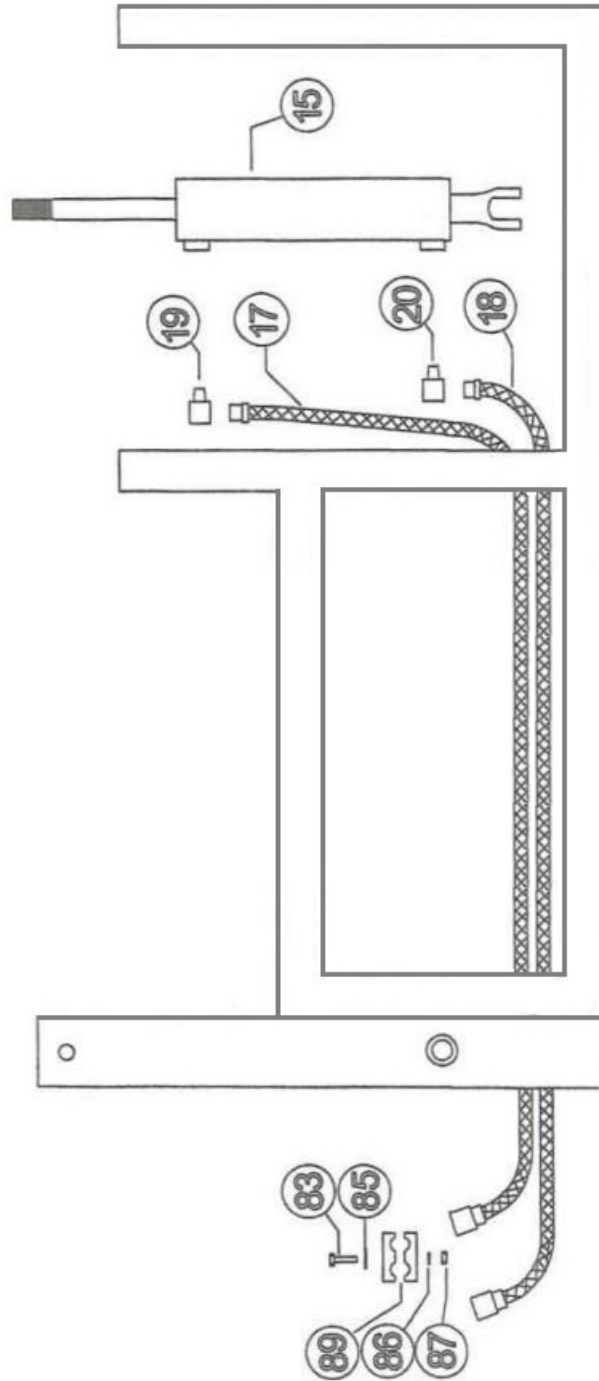
MAIN FRAME AND GUARDS



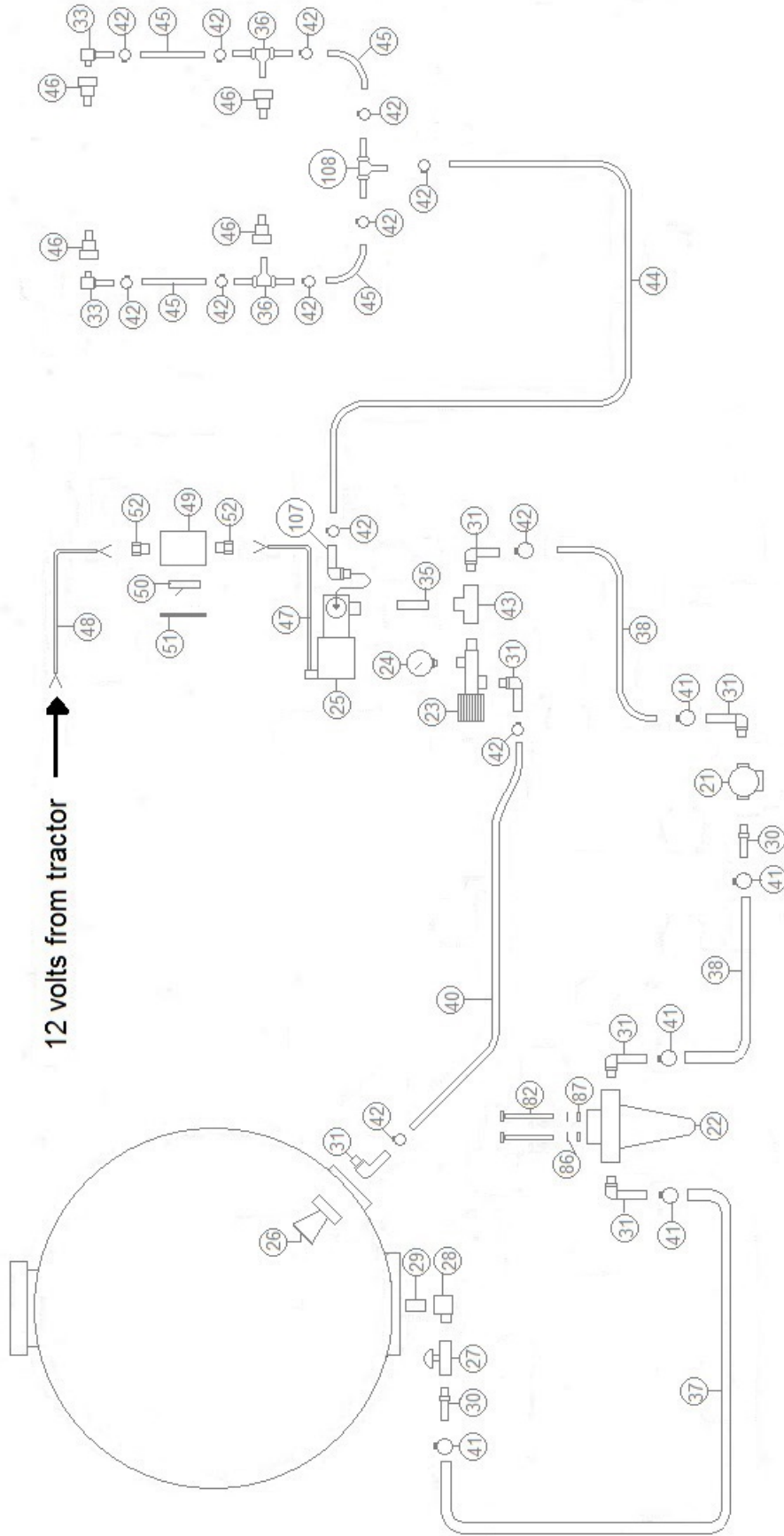
MECHANICAL PARTS



HYDRAULIC SYSTEM



CHEMICAL APPLICATION SYSTEM - ELECTRICAL SYSTEM



PARTS LIST FOR SUPER CANNON SPRAYER

SECTION 6 - REFERENCE

KEY	PART #	DESCRIPTION	QTY
1		Main Frame	1
2		Tank Support Frame for 55 gal. Tank	1
3		Tank Support Frame for 100 gal. Tank	1
4		Tank - 55 gal.	1
5		Tank - 100 gal.	1
6		Tank Hold Down Strap for 55 gal. Tank	2
7		Tank Hold Down Strap for 100 gal. Tank	2
8		Blower	1
9		Volute	1
10		Left Side Cover Panel	1
11		Right Side Cover Panel	1
12		Outside Belt Cover	1
13		Inside Belt Cover	1
14		PTO Shaft	1
15	16752	Hydraulic Cylinder	1
15A	16757	Seal Kit	1
16		Hydraulic Support Bracket	1
17		Hydraulic Line 10 ft. Long	1
18		Hydraulic Line 9 ft. long	1
19		Hydraulic L-fitting (restricted)	1
20		Hydraulic L-fitting	1
21	12756	Chemical Application Pump	1
22		Chemical Application Filter	1
23	12267	Pressure Relief Valve	1
24	13898	Pressure Gauge	1
25		Solenoid Valve	1
26		Chemical Mixing Ventura	1
27	13007	Valve (3/4 in.)	1
28	13507	Street Elbow Fitting (3/4 in.)	1
29	13396	Nipple (3/4 in. X close)	1
30	13319	Fitting (3/4 in. Pipe X 3/4 in. Hose)	2
31	13355	Elbow (3/4 in. Pipe X 3/4 in. Hose)	2
32	13317	Elbow Fitting (3/4 in. Pipe X 1/2 in. Hose)	1
33	13880	Nozzle Holder 90°	2
34	13322	Fitting (1/2 in. Pipe X 1/2 in. Hose)	3
35		Nipple (1/2 X Close)	1
36		Nozzle Holder T	2
37	12852	Hose (3/4 in. X 20 in.)	1
38	12852	Hose (3/4 in. X 24 in.)	1
39	10795	Hose (1/2 in. X 24 in.)	1
40	10795	Hose (1/2 in. X 48 in.)	1
41	13531	Hose Clamp (3/4 in.)	4
42	13528	Hose Clamp (1/2 in.)	10 opt
43	13806	Tee-fitting (1/2 in. X 1/2 in. X 1/2 in.)	2 opt
44	10795	Hose (1/2 in. X ?)	1
45	10795	Hose (1/2 in. X ?)	2 opt
46		Spray Nozzles	2 opt
47		Power Cord (from Switch to Solenoid Valve)	1

PARTS LIST FOR SUPER CANNON SPRAYER

KEY	PART #	DESCRIPTION	QTY
48		Power Cord (from Tractor to Switch)	1
49		Switch Box	1
50		Spray Activation Switch	1
51		Switch Cover	1
52		Power Cord Compression Fitting	2
53		Pulley ("A" X 4 in. X 5/8 in. Bore)	1
54		Pulley ("A" X 4 in. X 1-1/4 in. Bore)	1
55		Pulley (Double "B" X 5 in. X 1 in. Bore)	1
56		Pulley (Double "B" X 18-3/4 in. A1-1/4 in. Bore)	1
57		V-Belt ("A" 28)	1
58		V-Belt (BX72)	2
59		Sprocket (40 Pitch)	1
60		Roller Chain (40 Pitch)	1
61		Main Power Shaft	1
62	11875	Pillow Block Bearing (1-1/4 in.)	2
63	15049	Pillow Block Bearing (1 in.)	2
64	12221	Key (1/4 in. X 2 in.)	3
65		Idler Roller	2
66		Threaded Rod (5/8 - 11 X 5 in.)	4
67	10205	Flat Washer (5/8 in.)	4
68	10185	Lock Washer (5/8 in.)	8
69		Hex Nut (1/2 X 13)	16
70		Master Link (40 Pitch)	1
71	10075	Bolt (1/2 13 X 3 in.)	2
72	10073	Bolt (1/2 13 X 2 in.)	4
73	10204	Flat Washer (1/2 in.)	9
74	10184	Lock Washer (1/2 in.)	6
75	10176	Hex Nut (1/2 - 13)	6
76	10176	Sliding Adjusting Nut (1/2 - 13)	1
77	10035	Shear Bolt (3/8 - 16 X 3 in.)	1
78	10035	Bolt (3/8 - 16 X 3 in.)	2
79	10029	Bolt (3/8 - 16 X 1-1/4 in.)	2
80	10182	Lock Washer (3/8 in.)	4
81	10162	Hex Nut (3/8 - 16)	4
82	10022	Bolt (5/16 - 18 X 3-1/2 in.)	2
83	10020	Bolt (5/16 - 18 X 2-1/2 in.)	2
84	10017	Bolt (5/16 - 18 X 1 in.)	6
85	10201	Flat Washer (5/16 in.)	2
86	10181	Lock Washer (5/16 in.)	10
87	10162	Hex Nut (3/8 - 16 in.)	11
88		Pan Head all Thread bolt (5/16 - 18 X 3 in.)	1
89		Hold Down Clip	2
90	10008	Bolt (1/4 - 20 X 4 in.)	4
91	10001	Bolt (1/4 - 20 X 3/4 in.)	18
92	10200	Flat Washer (1/4 in.)	12
93	10180	Lock Washer (1/4 in.)	22
94	10160	Hex Nut (1/4 - 20)	22
95		Hydraulic Cylinder Mounting Pin	1
96		R-Clip	1
97		Hydraulic Cylinder - Chain Coupler	1

PARTS LIST FOR SUPER CANNON SPRAYER

KEY	PART #	DESCRIPTION	QTY
98		Hydraulic Cylinder Shaft Hex Nut	2
99		Bolts (10 - 24 X 1 in. Flat Head)	3
100		Lock Washer (#10)	3
101		Hex Nut (10-24)	3
102	10346	Lynch Pin	3
103		Top Link Pin	2
104	10307	Lift Arm Link Pin	2
105	10307	Link Pin Lock Washer	2
106	10307	Link Pin Hex Nut	2
107		Elbow (1/2 in. Pipe X 1/2 in. Hose)	1
108		1/2 in. Barb Tee	1